

T.D.S.

ELEMENTS FOR
MOULD & DIE



PLASTICA E PRESSOFUSIONE
ELEMENTI DI GUIDA SERIE IT
PLASTIC AND DIE-CASTING
IT GUIDE ELEMENTS

INDICE ELEMENTI DI GUIDA **SERIE IT**

IT GUIDE ELEMENTS LIST

P



pg. 72 - 82

PS



pg. 83 - 85

PL



pg. 86 - 87

OC4



pg. 88 - 89

OC4B



pg. 90

OC6



pg. 92

OC3



pg. 94 - 95

OC5



pg. 96

OC5B



pg. 96

OC5BG



pg. 97

BC

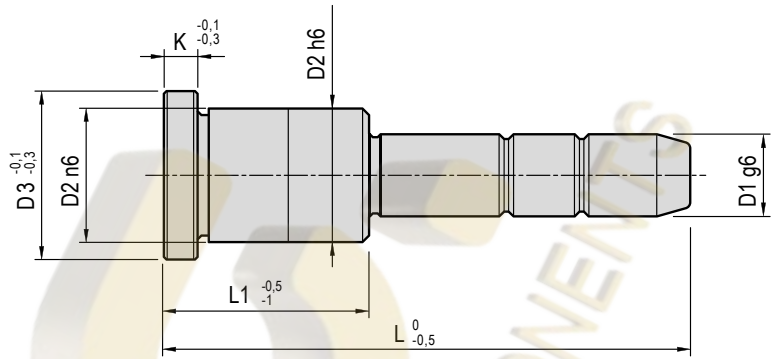


pg. 98

AC



pg. 99



MAT_1.7131 61-63 HRC

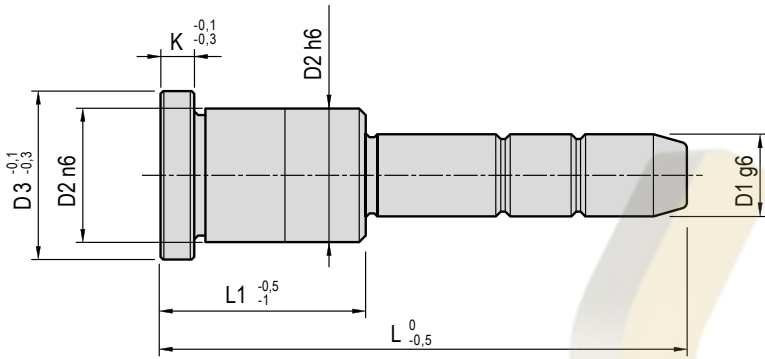


Code per n. pezzi

P / D1 / L1 / D2 / L 4 pcs.

Code	D1	L1	L	D2	D3	K
P/12/22/18/50			50			
P/12/22/18/60			60			
P/12/22/18/70	12	22	70	18	22	5
P/12/22/18/80			80			
P/12/22/18/90			90			
P/12/22/18/100			100			
P/12/26/18/50			50			
P/12/26/18/60			60			
P/12/26/18/70	12	26	70	18	22	5
P/12/26/18/80			80			
P/12/26/18/90			90			
P/12/26/18/100			100			
P/12/36/18/50			50			
P/12/36/18/60			60			
P/12/36/18/70			70			
P/12/36/18/80	12	36	80	18	22	5
P/12/36/18/90			90			
P/12/36/18/100			100			
P/12/36/18/120			120			
P/12/46/18/70			70			
P/12/46/18/80			80			
P/12/46/18/90	12	46	90	18	22	5
P/12/46/18/100			100			
P/12/46/18/120			120			
P/12/56/18/90	12	56	90	18	22	5
P/12/56/18/100			100			
Compatibile/similare a ECO1 / C1 33PT						
Compatible/similar to ECO1 / C1 33PT						

Code	D1	L1	L	D2	D3	K
P/12/56/18/120	12	56	120	18	22	5
P/14/22/20/50			50			
P/14/22/20/60			60			
P/14/22/20/70	14	22	70	20	24	5
P/14/22/20/80			80			
P/14/22/20/90			90			
P/14/22/20/100			100			
P/14/26/20/60			60			
P/14/26/20/70			70			
P/14/26/20/80	14	26	80	20	24	5
P/14/26/20/90			90			
P/14/26/20/100			100			
P/14/26/20/120			120			
P/14/36/20/70			70			
P/14/36/20/80			80			
P/14/36/20/90	14	36	90	20	24	5
P/14/36/20/100			100			
P/14/36/20/120			120			
P/14/46/20/70			70			
P/14/46/20/80			80			
P/14/46/20/90	14	46	90	20	24	5
P/14/46/20/100			100			
P/14/46/20/120			120			
P/14/56/20/90			90			
P/14/56/20/100	14	56	100	20	24	5
P/14/56/20/120			120			
Compatibile/similare a ECO1 / C1 33PT						
Compatible/similar to ECO1 / C1 33PT						



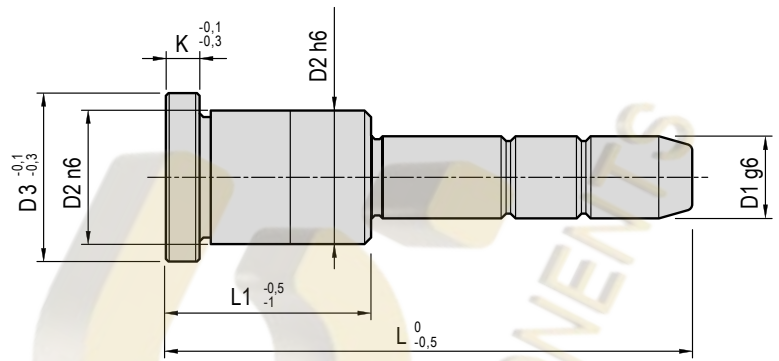
MAT_1.7131 61-63 HRC

Code per n. pezzi

P / D1 / L1 / D2 / L 4 pcs.

Code	D1	L1	L	D2	D3	K
P/16/22/22/50			50			
P/16/22/22/60			60			
P/16/22/22/70			70			
P/16/22/22/80	16	22	80	22	26	5
P/16/22/22/90			90			
P/16/22/22/100			100			
P/16/22/22/120			120			
P/16/26/22/50			50			
P/16/26/22/60			60			
P/16/26/22/70			70			
P/16/26/22/80	16	26	80	22	26	5
P/16/26/22/90			90			
P/16/26/22/100			100			
P/16/26/22/120			120			
P/16/26/22/140			140			
P/16/36/22/60			60			
P/16/36/22/70			70			
P/16/36/22/80			80			
P/16/36/22/90	16	36	90	22	26	5
P/16/36/22/100			100			
P/16/36/22/120			120			
P/16/36/22/140			140			
P/16/46/22/70			70			
P/16/46/22/80	16	46	80	22	26	5
P/16/46/22/90			90			
P/16/46/22/100			100			
Compatibile/similare a ECO1 / C1 33PT						
Compatible/similar to ECO1 / C1 33PT						

Code	D1	L1	L	D2	D3	K
P/16/46/22/120			120			
P/16/46/22/140	16	46	140	22	26	5
P/16/46/22/160			160			
P/16/56/22/80			80			
P/16/56/22/90			90			
P/16/56/22/100			100			
P/16/56/22/120	16	56	120	22	26	5
P/16/56/22/140			140			
P/16/56/22/160			160			
P/16/56/22/180			180			
P/16/56/22/200			200			
P/16/66/22/100			100			
P/16/66/22/120			120			
P/16/66/22/140	16	66	140	22	26	5
P/16/66/22/160			160			
P/16/66/22/180			180			
P/16/66/22/200			200			
P/16/76/22/100			100			
P/16/76/22/120			120			
P/16/76/22/140	16	76	140	22	26	5
P/16/76/22/160			160			
P/16/76/22/180			180			
P/16/76/22/200			200			
P/16/96/22/140			140			
P/16/96/22/160	16	96	160	22	26	5
P/16/96/22/180			180			
Compatibile/similare a ECO1 / C1 33PT						
Compatible/similar to ECO1 / C1 33PT						



MAT_1.7131 61-63 HRC

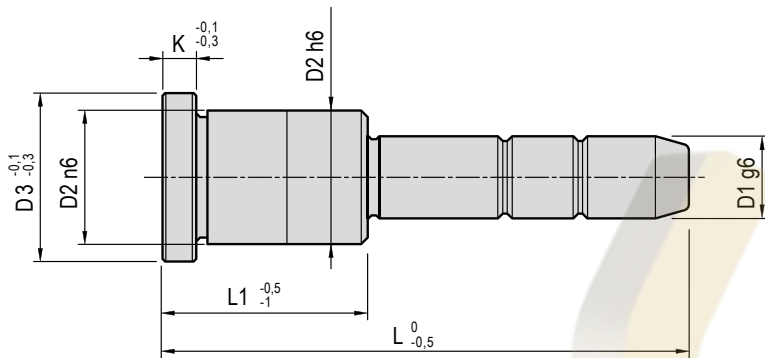


Code per n. pezzi

P / D1 / L1 / D2 / L 4 pcs.

Code	D1	L1	L	D2	D3	K
P/16/96/22/200	16	96	200	22	26	5
P/18/26/26/60			60			
P/18/26/26/70			70			
P/18/26/26/80	18	26	80	26	30	5
P/18/26/26/90			90			
P/18/26/26/100			100			
P/18/36/26/60			60			
P/18/36/26/70			70			
P/18/36/26/80			80			
P/18/36/26/90	18	36	90	26	30	5
P/18/36/26/100			100			
P/18/36/26/120			120			
P/18/36/26/140			140			
P/18/46/26/70			70			
P/18/46/26/80			80			
P/18/46/26/90			90			
P/18/46/26/100	18	46	100	26	30	5
P/18/46/26/120			120			
P/18/46/26/140			140			
P/18/46/26/160			160			
P/18/56/26/80			80			
P/18/56/26/90			90			
P/18/56/26/100	18	56	100	26	30	5
P/18/56/26/120			120			
P/18/56/26/140			140			
P/18/56/26/160			160			
Compatibile/similare a ECO1 / C1 33PT						
Compatible/similar to ECO1 / C1 33PT						

Code	D1	L1	L	D2	D3	K
P/18/56/26/180	18	56	180	26	30	5
P/18/66/26/100			100			
P/18/66/26/120			120			
P/18/66/26/140	18	66	140	26	30	5
P/18/66/26/160			160			
P/18/66/26/180			180			
P/18/76/26/120			120			
P/18/76/26/140	18	76	140	26	30	5
P/18/76/26/160			160			
P/18/76/26/180			180			
P/20/26/28/60			60			
P/20/26/28/70			70			
P/20/26/28/80			80			
P/20/26/28/90	20	26	90	28	32	6
P/20/26/28/100			100			
P/20/26/28/120			120			
P/20/26/28/140			140			
P/20/36/28/60			60			
P/20/36/28/70			70			
P/20/36/28/80			80			
P/20/36/28/90	20	36	90	28	32	6
P/20/36/28/100			100			
P/20/36/28/120			120			
P/20/36/28/140			140			
P/20/36/28/160			160			
P/20/46/28/70	20	46	70	28	32	6
Compatibile/similare a ECO1 / C1 33PT						
Compatible/similar to ECO1 / C1 33PT						



MAT_1.7131 61-63 HRC

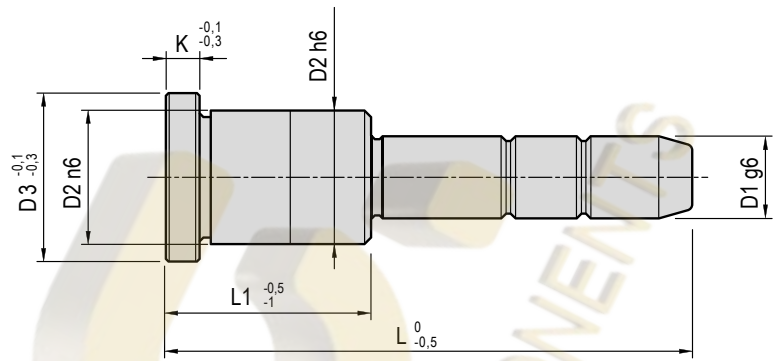
Code per n. pezzi

P / D1 / L1 / D2 / L 4 pcs.

Code	D1	L1	L	D2	D3	K
P/20/46/28/80			80			
P/20/46/28/90			90			
P/20/46/28/100	20	46	100	28	32	6
P/20/46/28/120			120			
P/20/46/28/140			140			
P/20/46/28/160			160			
P/20/56/28/80			80			
P/20/56/28/90			90			
P/20/56/28/100			100			
P/20/56/28/120	20	56	120	28	32	6
P/20/56/28/140			140			
P/20/56/28/160			160			
P/20/56/28/180			180			
P/20/56/28/200			200			
P/20/66/28/100			100			
P/20/66/28/120			120			
P/20/66/28/140	20	66	140	28	32	6
P/20/66/28/160			160			
P/20/66/28/180			180			
P/20/66/28/200			200			
P/20/76/28/120			120			
P/20/76/28/140			140			
P/20/76/28/160	20	76	160	28	32	6
P/20/76/28/180			180			
P/20/76/28/200			200			
P/20/86/28/140	20	86	140	28	32	6
Compatibile/similare a ECO1 / C1 33PT						
Compatible/similar to ECO1 / C1 33PT						

Code	D1	L1	L	D2	D3	K
P/20/86/28/160			160			
P/20/86/28/180	20	86	180	28	32	6
P/20/86/28/200			200			
P/20/96/28/140			140			
P/20/96/28/160	20	96	160	28	32	6
P/20/96/28/180			180			
P/20/96/28/200			200			
P/20/26/30/60			60			
P/20/26/30/70			70			
P/20/26/30/80			80			
P/20/26/30/90	20	26	90	30	34	6
P/20/26/30/100			100			
P/20/26/30/120			120			
P/20/26/30/140			140			
P/20/36/30/60			60			
P/20/36/30/70			70			
P/20/36/30/80			80			
P/20/36/30/90	20	36	90	30*	34	6
P/20/36/30/100			100			
P/20/36/30/120			120			
P/20/36/30/140			140			
P/20/36/30/160			160			
P/20/46/30/70			70			
P/20/46/30/80	20	46	80	30*	34	6
P/20/46/30/90			90			
P/20/46/30/100			100			
Compatibile/similare a ECO1 / C1 33PT						
Compatible/similar to ECO1 / C1 33PT						

* su richiesta / on demand



MAT_1.7131 61-63 HRC



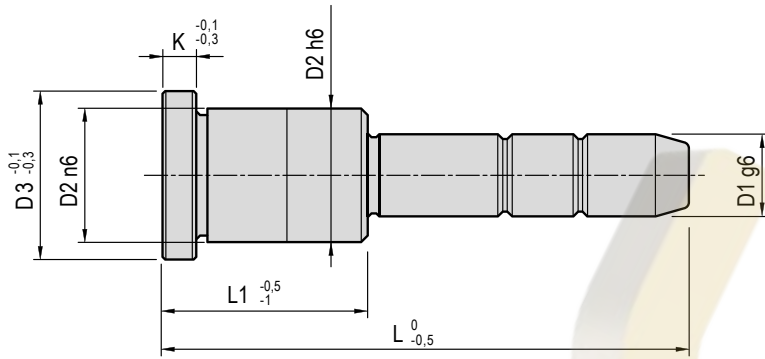
Code per n. pezzi

P / D1 / L1 / D2 / L 4 pcs.

Code	D1	L1	L	D2	D3	K
P/20/46/30/120			120			
P/20/46/30/140	20	46	140	30*	34	6
P/20/46/30/160			160			
P/20/56/30/80			80			
P/20/56/30/90			90			
P/20/56/30/100			100			
P/20/56/30/120	20	56	120	30*	34	6
P/20/56/30/140			140			
P/20/56/30/160			160			
P/20/56/30/180			180			
P/20/56/30/200			200			
P/20/66/30/100			100			
P/20/66/30/120			120			
P/20/66/30/140	20	66	140	30*	34	6
P/20/66/30/160			160			
P/20/66/30/180			180			
P/20/66/30/200			200			
P/20/76/30/120			120			
P/20/76/30/140			140			
P/20/76/30/160	20	76	160	30*	34	6
P/20/76/30/180			180			
P/20/76/30/200			200			
P/20/86/30/140			140			
P/20/86/30/160	20	86	160	30*	34	6
P/20/86/30/180			180			
P/20/86/30/200			200			
Compatibile/similare a ECO1 / C1 33PT						
Compatible/similar to ECO1 / C1 33PT						

Code	D1	L1	L	D2	D3	K
P/20/96/30/140			140			
P/20/96/30/160	20	96	160	30*	34	6
P/20/96/30/180			180			
P/20/96/30/200			200			
P/25/26/34/80			80			
P/25/26/34/90	25	26	90	34	38	7
P/25/26/34/100			100			
P/25/36/34/80			80			
P/25/36/34/90			90			
P/25/36/34/100			100			
P/25/36/34/120	25	36	120	34	38	7
P/25/36/34/140			140			
P/25/36/34/160			160			
P/25/36/34/180			180			
P/25/46/34/90			90			
P/25/46/34/100			100			
P/25/46/34/120			120			
P/25/46/34/140	25	46	140	34	38	7
P/25/46/34/160			160			
P/25/46/34/180			180			
P/25/46/34/200			200			
P/25/56/34/100			100			
P/25/56/34/120			120			
P/25/56/34/140	25	56	140	34	38	7
P/25/56/34/160			160			
P/25/56/34/180			180			
Compatibile/similare a ECO1 / C1 33PT						
Compatible/similar to ECO1 / C1 33PT						

* su richiesta / on demand



MAT_1.7131 61-63 HRC



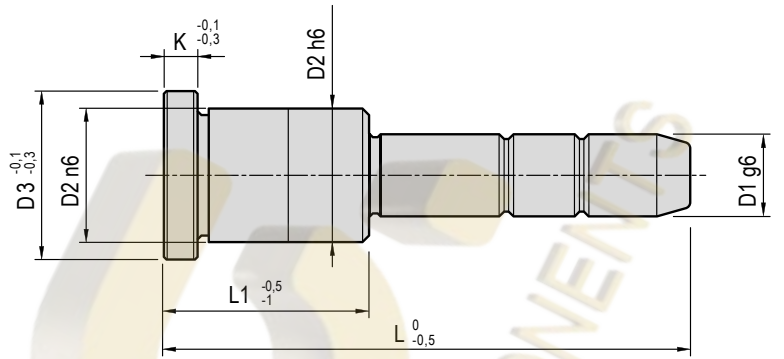
Code per n. pezzi

P / D1 / L1 / D2 / L 4 pcs.

Code	D1	L1	L	D2	D3	K
P/25/56/34/200			200			
P/25/56/34/220	25	56	220	34	38	7
P/25/56/34/240			240			
P/25/66/34/120			120			
P/25/66/34/140			140			
P/25/66/34/160			160			
P/25/66/34/180			180			
P/25/66/34/200	25	66	200	34	38	7
P/25/66/34/220			220			
P/25/66/34/240			240			
P/25/66/34/260			260			
P/25/66/34/280			280			
P/25/76/34/120			120			
P/25/76/34/140			140			
P/25/76/34/160			160			
P/25/76/34/180			180			
P/25/76/34/200	25	76	200	34	38	7
P/25/76/34/220			220			
P/25/76/34/240			240			
P/25/76/34/260			260			
P/25/76/34/280			280			
P/25/86/34/140			140			
P/25/86/34/160			160			
P/25/86/34/180	25	86	180	34	38	7
P/25/86/34/200			200			
P/25/86/34/220			220			
Compatibile/similare a ECO1 / C1 33PT						
Compatible/similar to ECO1 / C1 33PT						

Code	D1	L1	L	D2	D3	K
P/25/86/34/240			240			
P/25/86/34/260	25	86	260	34	38	7
P/25/86/34/280			280			
P/25/96/34/140			140			
P/25/96/34/160			160			
P/25/96/34/180			180			
P/25/96/34/200	25	96	200	34	38	7
P/25/96/34/220			220			
P/25/96/34/240			240			
P/25/96/34/260			260			
P/25/96/34/280			280			
P/25/116/34/160			160			
P/25/116/34/180			180			
P/25/116/34/200			200			
P/25/116/34/220	25	116	220	34	38	7
P/25/116/34/240			240			
P/25/116/34/260			260			
P/25/116/34/280			280			
P/25/26/36/80			80			
P/25/26/36/90	25	26	90	36*	40	7
P/25/26/36/100			100			
P/25/36/36/80			80			
P/25/36/36/90			90			
P/25/36/36/100	25	36	100	36*	40	7
P/25/36/36/120			120			
P/25/36/36/140			140			
Compatibile/similare a ECO1 / C1 33PT						
Compatible/similar to ECO1 / C1 33PT						

* su richiesta / on demand



MAT_1.7131 61-63 HRC



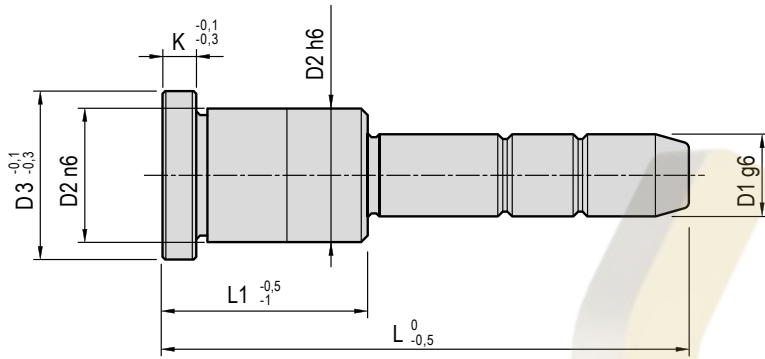
Code per n. pezzi

P / D1 / L1 / D2 / L 4 pcs.

Code	D1	L1	L	D2	D3	K
P/25/36/36/160	25	36	160	36*	40	7
P/25/36/36/180			180			
P/25/46/36/90	25	46	90	36*	40	7
P/25/46/36/100			100			
P/25/46/36/120			120			
P/25/46/36/140			140			
P/25/46/36/160			160			
P/25/46/36/180			180			
P/25/46/36/200			200			
P/25/56/36/100			25			
P/25/56/36/120	120					
P/25/56/36/140	140					
P/25/56/36/160	160					
P/25/56/36/180	180					
P/25/56/36/200	200					
P/25/56/36/220	220					
P/25/56/36/240	240					
P/25/66/36/120	25	66	120	36*	40	7
P/25/66/36/140			140			
P/25/66/36/160			160			
P/25/66/36/180			180			
P/25/66/36/200			200			
P/25/66/36/220			220			
P/25/66/36/240			240			
P/25/66/36/260			260			
P/25/66/36/280	280					
Compatibile/similare a ECO1 / C1 33PT						
Compatible/similar to ECO1 / C1 33PT						

Code	D1	L1	L	D2	D3	K
P/25/76/36/120	25	76	120	36*	40	7
P/25/76/36/140			140			
P/25/76/36/160			160			
P/25/76/36/180			180			
P/25/76/36/200			200			
P/25/76/36/220			220			
P/25/76/36/240			240			
P/25/76/36/260			260			
P/25/76/36/280	280					
P/25/86/36/140	25	86	140	36*	40	7
P/25/86/36/160			160			
P/25/86/36/180			180			
P/25/86/36/200			200			
P/25/86/36/220			220			
P/25/86/36/240			240			
P/25/86/36/260			260			
P/25/86/36/280			280			
P/25/96/36/140	25	96	140	36*	40	7
P/25/96/36/160			160			
P/25/96/36/180			180			
P/25/96/36/200			200			
P/25/96/36/220			220			
P/25/96/36/240			240			
P/25/96/36/260			260			
P/25/96/36/280			280			
P/25/96/36/160	25	116	160	36*	40	7
Compatibile/similare a ECO1 / C1 33PT						
Compatible/similar to ECO1 / C1 33PT						

* su richiesta / on demand



MAT_1.7131 61-63 HRC



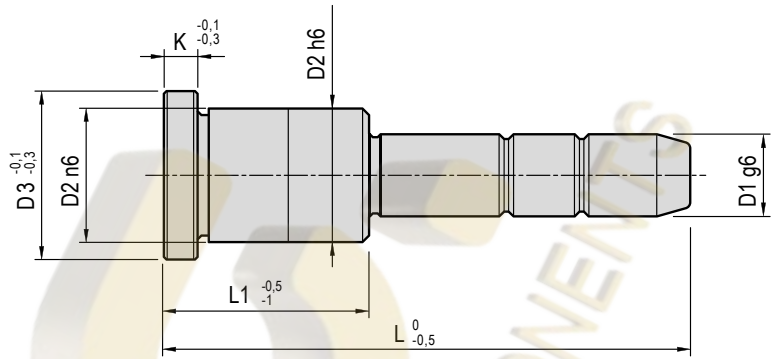
Code per n. pezzi

P / D1 / L1 / D2 / L 4 pcs.

Code	D1	L1	L	D2	D3	K
P/25/116/36/180			180			
P/25/116/36/200			200			
P/25/116/36/220			220			
P/25/116/36/240	25	116	240	36*	40	7
P/25/116/36/260			260			
P/25/116/36/280			280			
P/32/36/40/100			100			
P/32/36/40/120	32	36	120	40	45	7
P/32/46/40/100			100			
P/32/46/40/120			120			
P/32/46/40/140	32	46	140	40	45	7
P/32/46/40/160			160			
P/32/56/40/100			100			
P/32/56/40/120			120			
P/32/56/40/140			140			
P/32/56/40/160			160			
P/32/56/40/180	32	56	180	40	45	7
P/32/56/40/200			200			
P/32/56/40/220			220			
P/32/56/40/240			240			
P/32/66/40/120			120			
P/32/66/40/140			140			
P/32/66/40/160	32	66	160	40	45	7
P/32/66/40/180			180			
P/32/66/40/200			200			
P/32/66/40/220			220			
Compatibile/similare a ECO1 / C1 33PT						
Compatible/similar to ECO1 / C1 33PT						

Code	D1	L1	L	D2	D3	K
P/32/66/40/240			240			
P/32/66/40/260	32	66	260	40	45	7
P/32/66/40/280			280			
P/32/76/40/140			140			
P/32/76/40/160			160			
P/32/76/40/180			180			
P/32/76/40/200			200			
P/32/76/40/220	32	76	220	40	45	7
P/32/76/40/240			240			
P/32/76/40/260			260			
P/32/76/40/280			280			
P/32/86/40/160			160			
P/32/86/40/180			180			
P/32/86/40/200			200			
P/32/86/40/220	32	86	220	40	45	7
P/32/86/40/240			240			
P/32/86/40/260			260			
P/32/86/40/280			280			
P/32/96/40/160			160			
P/32/96/40/180			180			
P/32/96/40/200			200			
P/32/96/40/220			220			
P/32/96/40/240	32	96	240	40	45	7
P/32/96/40/260			260			
P/32/96/40/280			280			
P/32/96/40/300			300			
Compatibile/similare a ECO1 / C1 33PT						
Compatible/similar to ECO1 / C1 33PT						

* su richiesta / on demand



MAT_1.7131 61-63 HRC



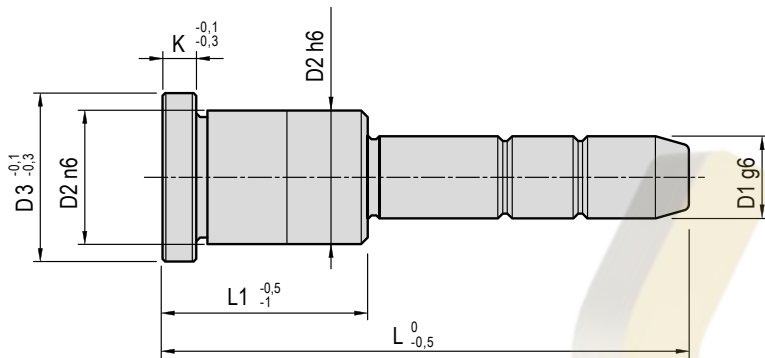
Code per n. pezzi

P / D1 / L1 / D2 / L 4 pcs.

Code	D1	L1	L	D2	D3	K
P/32/96/40/340	32	96	340	40	45	7
P/32/106/40/160			160			
P/32/106/40/180			180			
P/32/106/40/200			200			
P/32/106/40/220			220			
P/32/106/40/240	32	106	240	40	45	7
P/32/106/40/260			260			
P/32/106/40/280			280			
P/32/106/40/300			300			
P/32/106/40/340			340			
P/32/116/40/160			160			
P/32/116/40/180			180			
P/32/116/40/200			200			
P/32/116/40/220			220			
P/32/116/40/240	32	116	240	40	45	7
P/32/116/40/260			260			
P/32/116/40/280			280			
P/32/116/40/300			300			
P/32/116/40/340			340			
P/32/116/40/400			400			
P/32/126/40/180			180			
P/32/126/40/200			200			
P/32/126/40/220	32	126	220	40	45	7
P/32/126/40/240			240			
P/32/126/40/260			260			
P/32/126/40/280			280			
Compatibile/similare a ECO1 / C1 33PT						
Compatible/similar to ECO1 / C1 33PT						

Code	D1	L1	L	D2	D3	K
P/32/126/40/300			300			
P/32/126/40/340	32	126	340	40	45	7
P/32/126/40/400			400			
P/32/146/40/200			200			
P/32/146/40/220			220			
P/32/146/40/240			240			
P/32/146/40/260	32	146	260	40	45	7
P/32/146/40/280			280			
P/32/146/40/300			300			
P/32/146/40/340			340			
P/32/146/40/400			400			
P/40/46/48/120			120			
P/40/46/48/140			140			
P/40/46/48/160	40	46	160	48	52	8
P/40/46/48/180			180			
P/40/46/48/200			200			
P/40/56/48/120			120			
P/40/56/48/140			140			
P/40/56/48/160	40	56	160	48	52	8
P/40/56/48/180			180			
P/40/56/48/200			200			
P/40/56/48/220			220			
P/40/66/48/160			160			
P/40/66/48/180	40	66	180	48	52	8
P/40/66/48/200			200			
P/40/66/48/220			220			
Compatibile/similare a ECO1 / C1 33PT						
Compatible/similar to ECO1 / C1 33PT						

* su richiesta / on demand



MAT_1.7131 61-63 HRC



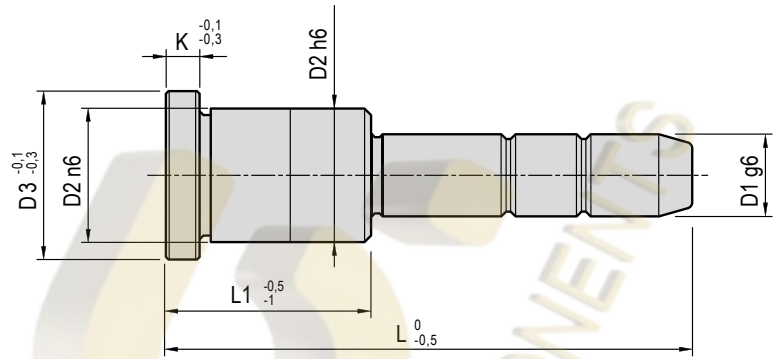
Code per n. pezzi

P / D1 / L1 / D2 / L 4 pcs.

Code	D1	L1	L	D2	D3	K
P/40/66/48/240	40	66	240	48	52	8
P/40/76/48/160			160			
P/40/76/48/180			180			
P/40/76/48/200	40	76	200	48	52	8
P/40/76/48/220			220			
P/40/76/48/240			240			
P/40/76/48/260			260			
P/40/86/48/160			160			
P/40/86/48/180			180			
P/40/86/48/200			200			
P/40/86/48/220	40	86	220	48	52	8
P/40/86/48/240			240			
P/40/86/48/260			260			
P/40/86/48/280			280			
P/40/96/48/160			160			
P/40/96/48/180			180			
P/40/96/48/200			200			
P/40/96/48/220			220			
P/40/96/48/240	40	96	240	48	52	8
P/40/96/48/260			260			
P/40/96/48/280			280			
P/40/96/48/300			300			
P/40/96/48/340			340			
P/40/106/48/180			180			
P/40/106/48/200	40	106	200	48	52	8
P/40/106/48/220			220			
Compatibile/similare a ECO1 / C1 33PT						
Compatible/similar to ECO1 / C1 33PT						

Code	D1	L1	L	D2	D3	K
P/40/106/48/240			240			
P/40/106/48/260			260			
P/40/106/48/280	40	106	280	48	52	8
P/40/106/48/300			300			
P/40/106/48/340			340			
P/40/116/48/180			180			
P/40/116/48/200			200			
P/40/116/48/220			220			
P/40/116/48/240			240			
P/40/116/48/260	40	116	260	48	52	8
P/40/116/48/280			280			
P/40/116/48/300			300			
P/40/116/48/340			340			
P/40/116/48/400			400			
P/40/126/48/180			180			
P/40/126/48/200			200			
P/40/126/48/220			220			
P/40/126/48/240			240			
P/40/126/48/160	40	126	260	48	52	8
P/40/126/48/280			280			
P/40/126/48/300			300			
P/40/126/48/340			340			
P/40/126/48/400			400			
P/40/146/48/240			240			
P/40/146/48/260	40	146	260	48	52	80
P/40/146/48/280			280			
Compatibile/similare a ECO1 / C1 33PT						
Compatible/similar to ECO1 / C1 33PT						

* su richiesta / on demand



MAT_1.7131 61-63 HRC

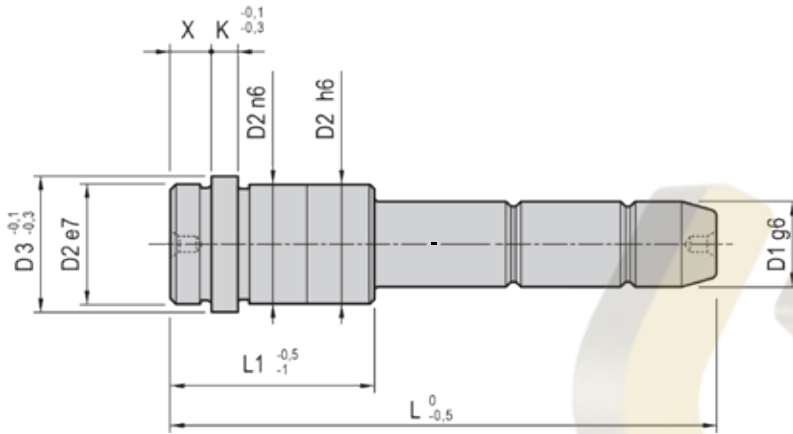


Code per n. pezzi

P / D1 / L1 / D2 / L 4 pcs.

Code	D1	L1	L	D2	D3	K
P/40/146/48/300			300			
P/40/146/48/340	40	146	340	48	52	8
P/40/146/48/400			400			
P/50/96/60/180			180			
P/50/96/60/200			200			
P/50/96/60/220			220			
P/50/96/60/240	50	96	240	60	65	10
P/50/96/60/260			260			
P/50/96/60/280			280			
P/50/96/60/300			300			
P/50/96/60/340			340			
P/50/126/60/220			220			
P/50/126/60/240			240			
P/50/126/60/260			260			
P/50/126/60/280	50	126	280	60	65	10
P/50/126/60/300			300			
P/50/126/60/340			340			
P/50/126/60/400			400			
P/50/146/60/48/240			240			
P/50/146/60/48/260			260			
P/50/146/60/48/280	50	146	280	60	65	10
P/50/146/60/48/300			300			
P/50/146/60/48/340			340			
P/50/146/60/48/400			400			
Compatibile/similare a ECO1 / C1 33PT						
Compatible/similar to ECO1 / C1 33PT						

* su richiesta / on demand



MAT_1.7131 61-63 HRC



Code per n. pezzi

PS / D1 / L1 / D2 / L 4 pcs.

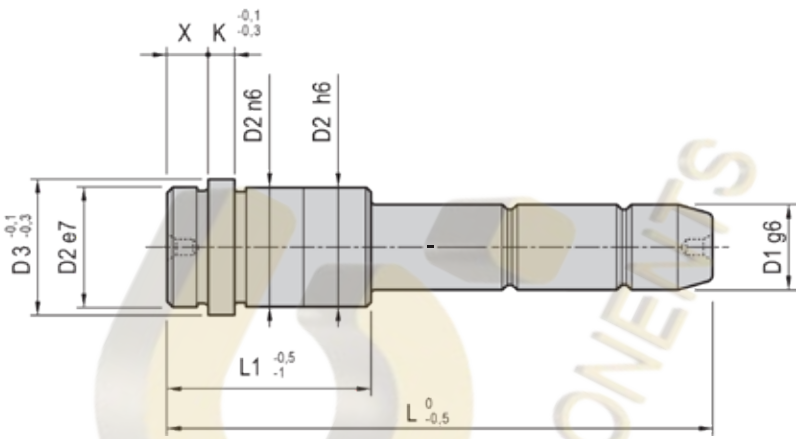
Code	D1	L1	L	X	D2	D3	K
PS/16/36/22/80			80				
PS/16/36/22/90	16	36	90	10	22	26	5
PS/16/36/22/110			110				
PS/16/36/22/130			130				
PS/16/46/22/90			90				
PS/16/46/22/110	16	46	110	10	22	26	5
PS/16/46/22/130			130				
PS/16/46/22/150			150				
PS/16/56/22/110			110				
PS/16/56/22/130	16	56	130	10	22	26	5
PS/16/56/22/150			150				
PS/16/56/22/170			170				
PS/16/66/22/110			110				
PS/16/66/22/130	16	66	130	10	22	26	5
PS/16/66/22/150			150				
PS/16/66/22/170			170				
PS/16/76/22/130			130				
PS/16/76/22/150	16	76	150	10	22	26	5
PS/16/76/22/170			170				
PS/16/76/22/190			190				
PS/16/86/22/150			150				
PS/16/86/22/170	16	86	170	10	22	26	5
PS/16/86/22/190			190				
PS/20/46/28/80			80				
PS/20/46/28/90	20	46	90	10	28	32	6
PS/20/46/28/110			110				

Compatibile/similare a ECO1S / PTR / C1S
Compatible/similar to ECO1S / PTR / C1S

Code	D1	L1	L	X	D2	D3	K
PS/20/46/28/130	20	46	130	10	28	32	6
PS/20/46/28/150			150				
PS/20/56/28/90			90				
PS/20/56/28/110			110				
PS/20/56/28/130	20	56	130	10	28	32	6
PS/20/56/28/150			150				
PS/20/56/28/170			170				
PS/20/66/28/110			110				
PS/20/66/28/130	20	66	130	10	28	32	6
PS/20/66/28/150			150				
PS/20/66/28/170			170				
PS/20/76/28/130			130				
PS/20/76/28/150	20	76	150	10	28	32	6
PS/20/76/28/170			170				
PS/20/86/28/150			150				
PS/20/86/28/170	20	86	170	10	28	32	6
PS/20/86/28/190			190				
PS/20/106/28/150			150				
PS/20/106/28/170	20	106	170	10	28	32	6
PS/20/106/28/190			190				
PS/20/106/28/210			210				
PS/20/46/30/80			80				
PS/20/46/30/90			90				
PS/20/46/30/110	20	46	110	10	30*	34	6
PS/20/46/30/130			130				
PS/20/46/30/150			150				

Compatibile/similare a ECO1S / PTR / C1S
Compatible/similar to ECO1S / PTR / C1S

* su richiesta / on demand



MAT_1.7131 61-63 HRC

Code per n. pezzi
PS / D1 / L1 / D2 / L 4 pcs.

Code	D1	L1	L	X	D2	D3	K
PS/20/56/30/90			90				
PS/20/56/30/110			110				
PS/20/56/30/130	20	56	130	10	30*	34	6
PS/20/56/30/150			150				
PS/20/56/30/170			170				
PS/20/66/30/110			110				
PS/20/66/30/130	20	66	130	10	30*	34	6
PS/20/66/30/150			150				
PS/20/66/30/170			170				
PS/20/76/30/130			130				
PS/20/76/30/150	20	76	150	10	30*	34	6
PS/20/76/30/170			170				
PS/20/86/30/150			150				
PS/20/86/30/170	20	86	170	10	30*	34	6
PS/20/86/30/190			190				
PS/20/106/30/150			150				
PS/20/106/30/170	20	106	170	10	30*	34	6
PS/20/106/30/190			190				
PS/20/106/30/210			210				
PS/25/46/34/90			90				
PS/25/46/34/110	25	46	110	10	34	34	7
PS/25/46/34/130			130				
PS/25/46/34/150			150				
PS/25/56/34/90			90				
PS/25/56/34/110	25	56	110	10	34	38	7
PS/25/56/34/130			130				

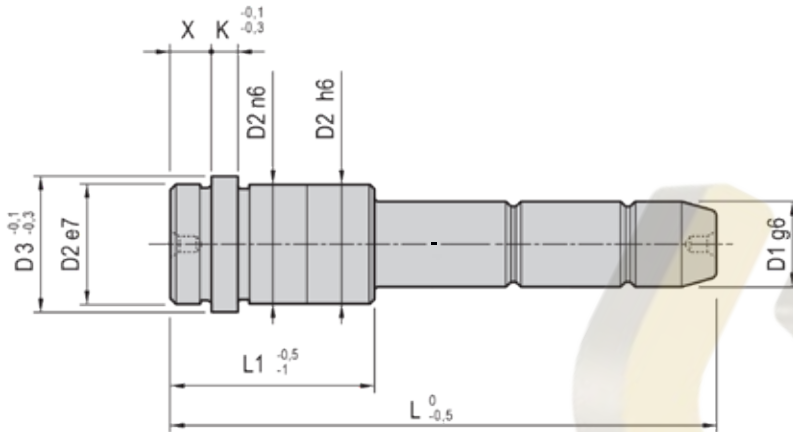
Compatibile/similare a ECO1S / PTR / C1S
Compatible/similar to ECO1S / PTR / C1S

Code	D1	L1	L	X	D2	D3	K
PS/25/56/34/150	25	56	150	10	34	38	7
PS/25/56/34/170			170				
PS/25/66/34/110			110				
PS/25/66/34/130	25	66	130	10	34	38	7
PS/25/66/34/150			150				
PS/25/66/34/170			170				
PS/25/76/34/130			130				
PS/25/76/34/150	25	76	150	10	34	38	7
PS/25/76/34/170			170				
PS/25/76/34/190			190				
PS/25/86/34/150			150				
PS/25/86/34/170	25	86	170	10	34	38	7
PS/25/86/34/190			190				
PS/25/106/34/150			150				
PS/25/106/34/170	25	106	170	10	34	38	7
PS/25/106/34/190			190				
PS/25/106/34/210			210				
PS/25/46/36/90			90				
PS/25/46/36/110	25	46	110	10	36*	40	7
PS/25/46/36/130			130				
PS/25/46/36/150			150				
PS/25/56/36/90			90				
PS/25/56/36/110			110				
PS/25/56/36/130	25	56	130	10	36*	40	7
PS/25/56/36/150			150				
PS/25/56/36/170			170				

Compatibile/similare a ECO1S / PTR / C1S
Compatible/similar to ECO1S / PTR / C1S

* su richiesta / on demand





MAT_1.7131 61-63 HRC



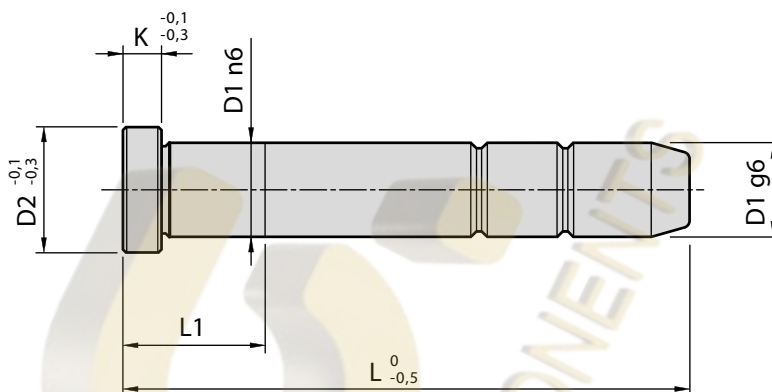
Code per n. pezzi

PS / D1 / L1 / D2 / L 4 pcs.

Code	D1	L1	L	X	D2	D3	K
PS/25/66/36/110			110				
PS/25/66/36/130	25	66	130	10	36*	40	7
PS/25/66/36/150			150				
PS/25/66/36/170			170				
PS/25/76/36/130			130				
PS/25/76/36/150	25	76	150	10	36*	40	7
PS/25/76/36/170			170				
PS/25/76/36/190			190				
PS/25/86/36/150			150				
PS/25/86/36/170	25	86	170	10	36*	40	7
PS/25/86/36/190			190				
PS/25/106/36/150			150				
PS/25/106/36/170	25	106	170	10	36*	40	7
PS/25/106/36/190			190				
PS/25/106/36/210			210				
PS/32/46/40/110			110				
PS/32/46/40/130	32	46	130	10	40	45	7
PS/32/46/40/150			150				
PS/32/56/40/110			110				
PS/32/56/40/130	32	56	130	10	40	45	7
PS/32/56/40/150			150				
PS/32/56/40/170			170				
PS/32/66/40/110			110				
PS/32/66/40/130	32	66	130	10	40	45	7
PS/32/66/40/150			150				
PS/32/66/40/170			170				
Compatibile/similare a ECO1S / PTR / C1S							
Compatible/similar to ECO1S / PTR / C1S							

* su richiesta / on demand

Code	D1	L1	L	X	D2	D3	K
PS/32/66/40/190	32	66	190	10	40	45	7
PS/32/76/40/130			130				
PS/32/76/40/150	32	76	150	10	40	45	7
PS/32/76/40/170			170				
PS/32/76/40/190			190				
PS/32/86/40/150			150				
PS/32/86/40/170	32	86	170	10	40	45	7
PS/32/86/40/190			190				
PS/32/106/40/170			170				
PS/32/106/40/190	32	106	190	10	40	45	7
PS/32/106/40/210			210				
PS/40/56/48/130	40	56	130	10	48	52	8
PS/40/56/48/150			150				
PS/40/66/48/130			130				
PS/40/66/48/150	40	66	150	10	48	52	8
PS/40/66/48/170			170				
PS/40/76/48/150			150				
PS/40/76/48/170	40	76	170	10	48	52	8
PS/40/76/48/190			190				
PS/40/76/48/210			210				
PS/40/86/48/150			150				
PS/40/86/48/170	40	86	170	10	48	52	8
PS/40/86/48/190			190				
PS/40/86/48/210			210				
PS/40/106/48/170			170				
PS/40/106/48/190	40	106	190	10	48	52	8
PS/40/106/48/210			210				
Compatibile/similare a ECO1S / PTR / C1S							
Compatible/similar to ECO1S / PTR / C1S							



MAT_1.7131 61-63 HRC

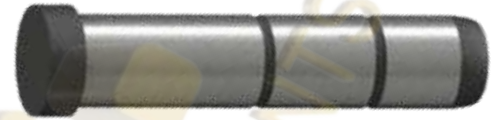
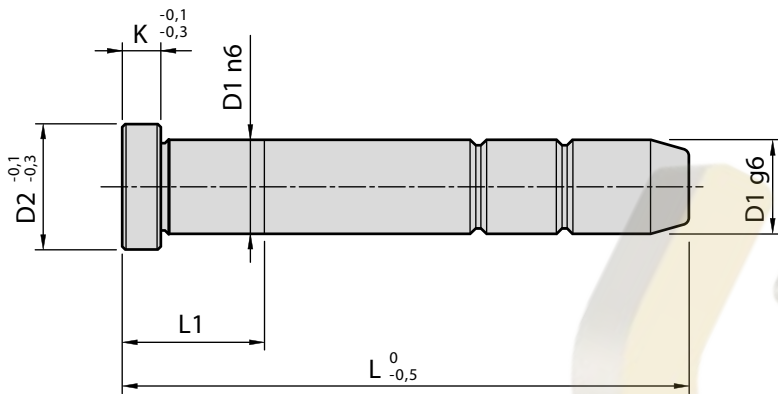


Code per n. pezzi
PL / D1 / L 4 pcs.

Code	D1	L	L1	D2	K
PL/12/50		50	13		
PL/12/60		60	13		
PL/12/70		70	13		
PL/12/80		80	20		
PL/12/90	12	90	20	16	5
PL/12/100		100	25		
PL/12/120		120	25		
PL/12/140		140	25		
PL/12/160		160	25		
PL/14/50		50	13		
PL/14/60		60	13		
PL/14/70		70	13		
PL/14/80		80	20		
PL/14/90		90	20		
PL/14/100		100	25		
PL/14/110	14	110	25	18	5
PL/14/120		120	25		
PL/14/130		130	25		
PL/14/140		140	25		
PL/14/150		150	25		
PL/14/160		160	25		
PL/14/180		180	30		
PL/16/50		50	13		
PL/16/60	16	60	13	20	5
PL/16/70		70	13		
PL/16/80		80	20		
Compatibile/similare a ECO2 / 32P / C2					
Compatible/similar to ECO2 / 32P / C2					

Code	D1	L	L1	D2	K
PL/16/90		90	20		
PL/16/100		100	25		
PL/16/110		110	25		
PL/16/120		120	25		
PL/16/130		130	25		
PL/16/140	16	140	25	20	5
PL/16/150		150	25		
PL/16/160		160	25		
PL/16/180		180	30		
PL/16/200		200	30		
PL/16/220		220	30		
PL/18/50		50	13		
PL/18/60		60	13		
PL/18/70		70	13		
PL/18/80		80	20		
PL/18/90		90	20		
PL/18/100		100	25		
PL/18/110		110	25		
PL/18/120	18	120	25	22	5
PL/18/130		130	25		
PL/18/140		140	25		
PL/18/150		150	25		
PL/18/160		160	25		
PL/18/180		180	30		
PL/18/200		200	30		
PL/18/220		220	30		
Compatibile/similare a ECO2 / 32P / C2					
Compatible/similar to ECO2 / 32P / C2					

Code	D1	L	L1	D2	K
PL/20/60		60	14		
PL/20/70		70	14		
PL/20/80		80	21		
PL/20/90		90	21		
PL/20/100		100	26		
PL/20/110		110	26		
PL/20/120		120	26		
PL/20/130		130	26		
PL/20/140	20	140	26	24	6
PL/20/150		150	26		
PL/20/160		160	26		
PL/20/180		180	31		
PL/20/200		200	31		
PL/20/220		220	31		
PL/20/240		240	41		
PL/20/260		260	41		
PL/20/280		280	41		
PL/20/300		300	51		
PL/25/80		80	22		
PL/25/90		90	22		
PL/25/100		100	27		
PL/25/120	25	120	27	30	7
PL/25/140		140	27		
PL/25/160		160	27		
PL/25/180		180	32		
PL/25/200		200	32		
Compatibile/similare a ECO2 / 32P / C2					
Compatible/similar to ECO2 / 32P / C2					



MAT_ 1.7131 61-63 HRC



Code per n. pezzi
PL / D1 / L 4 pcs.

Code	D1	L	L1	D2	K			
PL/25/220	25	220	32	30	7			
PL/25/240		240	42					
PL/25/260		260	42					
PL/25/280		280	42					
PL/25/300		300	52					
PL/25/350		350	62					
PL/25/400		400	62					
PL/32/120		32	120			27	37	7
PL/32/140	140		27					
PL/32/160	160		27					
PL/32/180	180		32					
PL/32/200	200		32					
PL/32/220	220		32					
PL/32/240	240		42					
PL/32/260	260		42					
PL/32/280	280		42					
PL/32/300	300		52					
PL/32/350	350		62					
PL/32/400	400		62					
PL/32/450	450		72					
PL/40/120	40		120	28	45	8		
PL/40/140			140	28				
PL/40/160			160	28				
PL/40/180		180	33					
PL/40/200		200	33					
PL/40/220		220	33					
Compatibile/similare a ECO2 / 32P / C2								
Compatible/similar to ECO2 / 32P / C2								

Code	D1	L	L1	D2	K
PL/40/240	40	240	43	45	8
PL/40/260		260	43		
PL/40/280		280	43		
PL/40/300		300	53		
PL/40/350		350	63		
PL/40/400		400	63		
PL/40/450		450	73		
PL/40/500		500	73		
PL/50/240	50	240	45	55	10
PL/50/260		260	45		
PL/50/280		280	45		
PL/50/300		300	55		
PL/50/350		350	65		
PL/50/400		400	65		
PL/50/450		450	75		
PL/50/500		500	75		
PL/60/350	60	350	67	68	12
PL/60/400		400	67		
PL/60/450		450	77		
PL/60/500		500	77		
PL/60/600		600	87		
PL/60/800	800	87			
Compatibile/similare a ECO2 / 32P / C2					
Compatible/similar to ECO2 / 32P / C2					

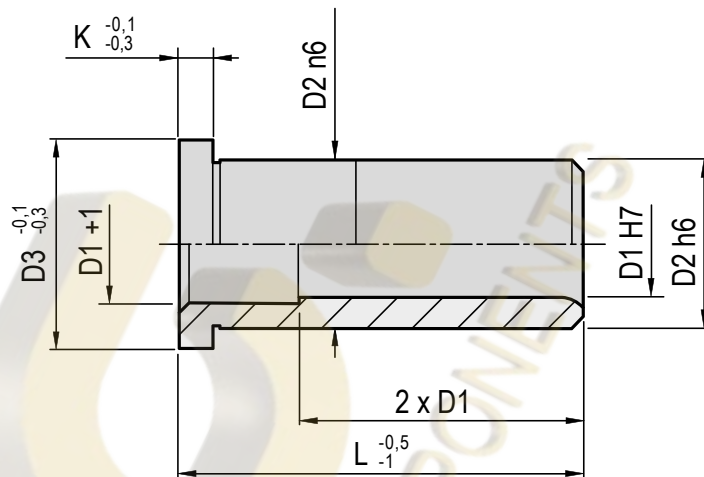


MAT_1.7131 61-63 HRC



Code per n. pezzi

OC4 / D1 / D2 / L 4 pcs.

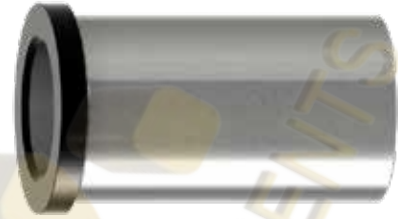
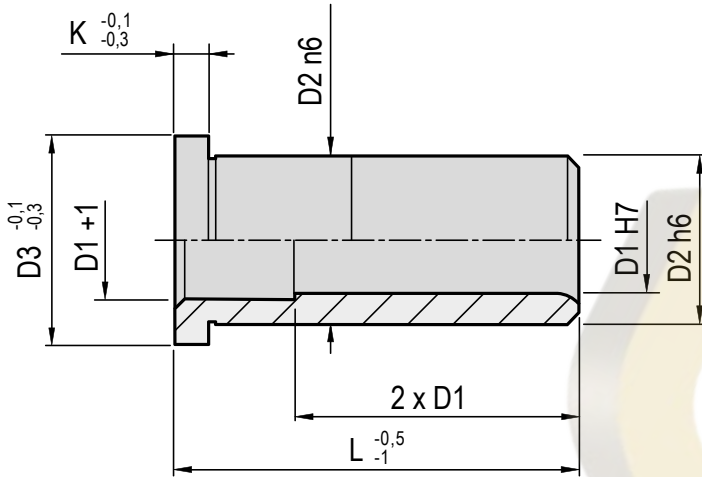


Code	D1	L	D2	D3	K
OC4/12/18/22		22			
OC4/12/18/26		26			
OC4/12/18/36	12	36	18	22	5
OC4/12/18/46		46			
OC4/12/18/56		56			
OC4/14/20/22		22			
OC4/14/20/26		26			
OC4/14/20/36	14	36	20	24	5
OC4/14/20/46		46			
OC4/14/20/56		56			
OC4/14/20/66		66			
OC4/16/22/22		22			
OC4/16/22/26		26			
OC4/16/22/36		36			
OC4/16/22/46		46			
OC4/16/22/56	16	56	22	26	5
OC4/16/22/66		66			
OC4/16/22/76		76			
OC4/16/22/86		86			
OC4/16/22/96		96			
OC4/18/26/22		22			
OC4/18/26/26		26			
OC4/18/26/36	18	36	26	30	5
OC4/18/26/46		46			
OC4/18/26/56		56			
OC4/18/26/66		66			
Compatibile/similare a EBU1 / 38PB / B1					
Compatible/similar to EBU1 / 38PB / B1					

Code	D1	L	D2	D3	K
OC4/18/26/76		76			
OC4/18/26/86	18	86	26	30	5
OC4/18/26/96		96			
OC4/20/28/22		22			
OC4/20/28/26		26			
OC4/20/28/36		36			
OC4/20/28/46		46			
OC4/20/28/56		56			
OC4/20/28/66	20	66	28	32	6
OC4/20/28/76		76			
OC4/20/28/86		86			
OC4/20/28/96		96			
OC4/20/28/106		106			
OC4/20/28/116		116			
OC4/20/28/126		126			
OC4/20/30/22		22			
OC4/20/30/26		26			
OC4/20/30/36		36			
OC4/20/30/46		46			
OC4/20/30/56		56			
OC4/20/30/66	20	66	30*	34	6
OC4/20/30/76		76			
OC4/20/30/86		86			
OC4/20/30/96		96			
OC4/20/30/106		106			
OC4/20/30/116		116			
Compatibile/similare a EBU1 / 38PB / B1					
Compatible/similar to EBU1 / 38PB / B1					

Code	D1	L	D2	D3	K
OC4/20/30/126	20	126	30*	34	6
OC4/25/34/26		26			
OC4/25/34/36		36			
OC4/25/34/46		46			
OC4/25/34/56		56			
OC4/25/34/66		66			
OC4/25/34/76	25	76	34	38	7
OC4/25/34/86		86			
OC4/25/34/96		96			
OC4/25/34/106		106			
OC4/25/34/116		116			
OC4/25/34/126		126			
OC4/25/36/26		26			
OC4/25/36/36		36			
OC4/25/36/46		46			
OC4/25/36/56		56			
OC4/25/36/66		66			
OC4/25/36/76	25	76	36*	40	7
OC4/25/36/86		86			
OC4/25/36/96		96			
OC4/25/36/106		106			
OC4/25/36/116		116			
OC4/25/36/126		126			
OC4/32/40/26		26			
OC4/32/40/36	32	36	40	45	7
OC4/32/40/46		46			
Compatibile/similare a EBU1 / 38PB / B1					
Compatible/similar to EBU1 / 38PB / B1					

* su richiesta / on demand



MAT_1.7131 61-63 HRC

Code per n. pezzi
OC4 / D1 / D2 / L 4 pcs.

Code	D1	L	D2	D3	K
OC4/32/40/56	32	56	40	45	7
OC4/32/40/66		66			
OC4/32/40/76		76			
OC4/32/40/86		86			
OC4/32/40/96		96			
OC4/32/40/106		106			
OC4/32/40/116		116			
OC4/32/40/126		126			
OC4/32/40/136		136			
OC4/32/40/146		146			
OC4/40/48/36	40	36	48	52	8
OC4/40/48/46		46			
OC4/40/48/56		56			
OC4/40/48/66		66			
OC4/40/48/76		76			
OC4/40/48/86		86			
OC4/40/48/96		96			
OC4/40/48/106		106			
OC4/40/48/116		116			
OC4/40/48/126		126			
OC4/40/48/136	136				
OC4/40/48/146	146				
OC4/50/60/76	50	76	60	65	10
OC4/50/60/86		86			
OC4/50/60/96		96			
OC4/50/60/106		106			
OC4/50/60/116		116			
OC4/50/60/126	126				
OC4/50/60/136	136				
OC4/50/60/146	146				
OC4/50/60/156	156				
OC4/50/60/166	166				
OC4/50/60/176	176				
OC4/50/60/186	186				
OC4/50/60/196	196				
Compatibile/similare a EBU1 / 38PB / B1					
Compatible/similar to EBU1 / 38PB / B1					

Code	D1	L	D2	D3	K				
OC4/50/60/116	50	116	60	65	10				
OC4/50/60/126		126							
OC4/50/60/136		136							
OC4/50/60/146		146							
OC4/50/60/156		156							
OC4/50/60/166		166							
OC4/50/60/176		176							
OC4/50/60/186		186							
OC4/50/60/196		196							
OC4/60/74/96		60				96	74	84	12
OC4/60/74/106	106								
OC4/60/74/116	116								
OC4/60/74/126	126								
OC4/60/74/146	146								
OC4/60/74/156	156								
OC4/60/74/176	176								
OC4/60/74/196	196								
Compatibile/similare a EBU1 / 38PB / B1									
Compatible/similar to EBU1 / 38PB / B1									

* su richiesta / on demand

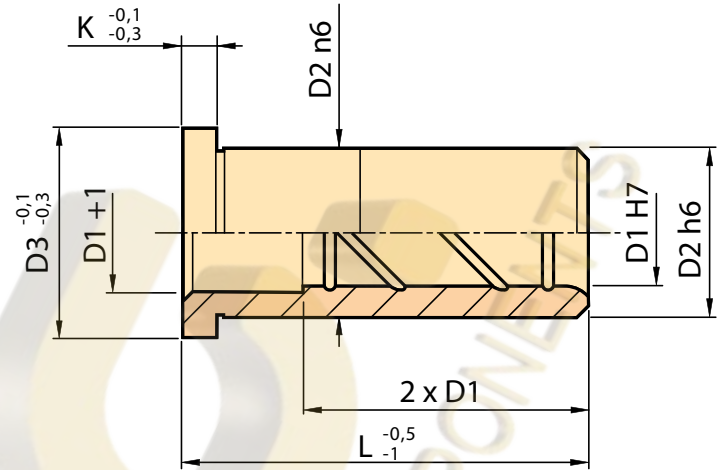


MAT_BRONZO / BRONZE



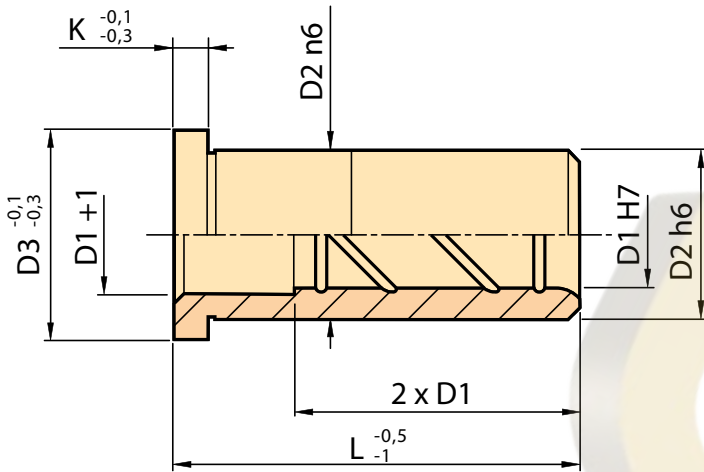
Code per n. pezzi

OC4B / D1 / D2 / L 4 pcs.



Code	D1	L	D2	D3	K
OC4B/16/22/22		22			
OC4B/16/22/26		26			
OC4B/16/22/36		36			
OC4B/16/22/46		46			
OC4B/16/22/56	16	56	22	26	5
OC4B/16/22/66		66			
OC4B/16/22/76		76			
OC4B/16/22/86		86			
OC4B/16/22/96		96			
OC4B/20/28/22		22			
OC4B/20/28/26		26			
OC4B/20/28/36		36			
OC4B/20/28/46		46			
OC4B/20/28/56		56			
OC4B/20/28/66	20	66	28	32	6
OC4B/20/28/76		76			
OC4B/20/28/86		86			
OC4B/20/28/96		96			
OC4B/20/28/106		106			
OC4B/20/28/116		116			
OC4B/20/28/126		126			
OC4B/20/30/22		22			
OC4B/20/30/26		26			
OC4B/20/30/36	20	36	30	34	6
OC4B/20/30/46		46			
OC4B/20/30/56		56			
Compatibile/similare a EBU1/B / B1B					
Compatible/similar to EBU1/B / B1B					

Code	D1	L	D2	D3	K
OC4B/20/30/66		66			
OC4B/20/30/76		76			
OC4B/20/30/86		86			
OC4B/20/30/96	20	96	30	34	6
OC4B/20/30/106		106			
OC4B/20/30/116		116			
OC4B/20/30/126		126			
OC4B/25/34/26		26			
OC4B/25/34/36		36			
OC4B/25/34/46		46			
OC4B/25/34/56		56			
OC4B/25/34/66		66			
OC4B/25/34/76	25	76	34	38	7
OC4B/25/34/86		86			
OC4B/25/34/96		96			
OC4B/25/34/106		106			
OC4B/25/34/116		116			
OC4B/25/34/126		126			
OC4B/25/36/26		26			
OC4B/25/36/36		36			
OC4B/25/36/46		46			
OC4B/25/36/56	25	56	36	40	7
OC4B/25/36/66		66			
OC4B/25/36/76		76			
OC4B/25/36/86		86			
OC4B/25/36/96		96			
Compatibile/similare a EBU1/B / B1B					
Compatible/similar to EBU1/B / B1B					



MAT BRONZO / BRONZE



Code per n. pezzi

OC4B / D1 / D2 / L 4 pcs.

Code	D1	L	D2	D3	K
OC4B/25/36/106		106			
OC4B/25/36/116	25	116	36	40	7
OC4B/25/36/126		126			
OC4B/32/40/26		26			
OC4B/32/40/36		36			
OC4B/32/40/46		46			
OC4B/32/40/56		56			
OC4B/32/40/66		66			
OC4B/32/40/76		76			
OC4B/32/40/86	32	86	40	45	7
OC4B/32/40/96		96			
OC4B/32/40/106		106			
OC4B/32/40/116		116			
OC4B/32/40/126		126			
OC4B/32/40/136		136			
OC4B/32/40/146		146			
OC4B/40/48/36		36			
OC4B/40/48/46		46			
OC4B/40/48/56		56			
OC4B/40/48/66		66			
OC4B/40/48/76	40	76	48	52	8
OC4B/40/48/86		86			
OC4B/40/48/96		96			
OC4B/40/48/106		106			
OC4B/40/48/116		116			
OC4B/40/48/126		126			
Compatibile/similare a EBU1/B / B1B					
Compatible/similar to EBU1/B / B1B					

Code	D1	L	D2	D3	K
OC4B/40/48/136	40	136	48	52	8
OC4B/40/48/146		146			
OC4B/50/60/76		76			
OC4B/50/60/86		86			
OC4B/50/60/96		96			
OC4B/50/60/106		106			
OC4B/50/60/116	50	116	60	65	10
OC4B/50/60/126		126			
OC4B/50/60/136		136			
OC4B/50/60/146		146			
OC4B/50/60/156		156			
OC4B/60/74/96		96			
OC4B/60/74/106		106			
OC4B/60/74/116		116			
OC4B/60/74/126	60	126	74	84	12
OC4B/60/74/146		146			
OC4B/60/74/156		156			
OC4B/60/74/176		176			
OC4B/60/74/196		196			
Compatibile/similare a EBU1/B / B1B					
Compatible/similar to EBU1/B / B1B					

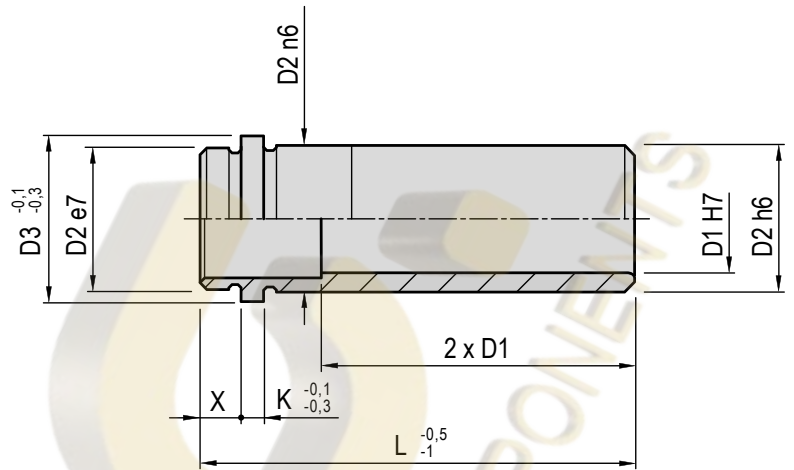


MAT_1.7131 61-63 HRC



Code per n. pezzi

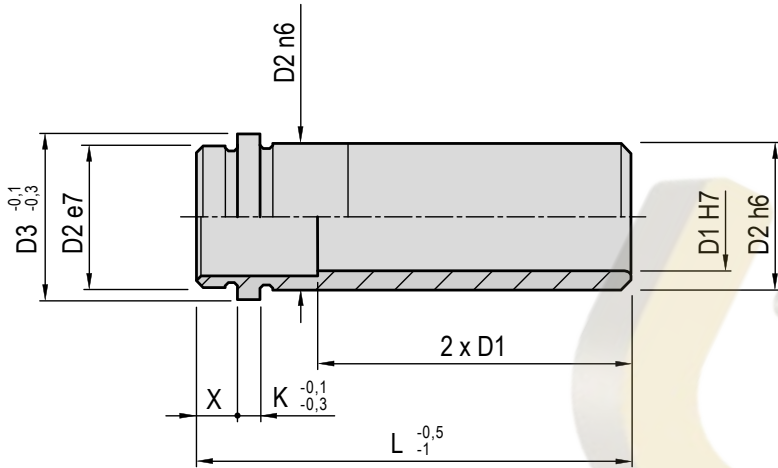
OC6 / D1 / D2 / L 4 pcs.



Code	D1	L	X	D2	D3	K
OC6/16/22/26		26				
OC6/16/22/36		36				
OC6/16/22/46		46				
OC6/16/22/56		56				
OC6/16/22/66	16	66	10	22	26	5
OC6/16/22/76		76				
OC6/16/22/86		86				
OC6/16/22/96		96				
OC6/16/22/106		106				
OC6/20/28/26		26				
OC6/20/28/36		36				
OC6/20/28/46		46				
OC6/20/28/56		56				
OC6/20/28/66	20	66	10	28	32	6
OC6/20/28/76		76				
OC6/20/28/86		86				
OC6/20/28/96		96				
OC6/20/28/106		106				
OC6/20/30/26		26				
OC6/20/30/36		36				
OC6/20/30/46		46				
OC6/20/30/56		56				
OC6/20/30/66	20	66	10	30*	34	6
OC6/20/30/76		76				
OC6/20/30/86		86				
OC6/20/30/96		96				
Compatibile/similare a EBU1S / PBR / B1S						
Compatible/similar to EBU1S / PBR / B1S						

Code	D1	L	X	D2	D3	K
OC6/20/30/106	20	106	10	30	34	6
OC6/25/34/36		36				
OC6/25/34/46		46				
OC6/25/34/56		56				
OC6/25/34/66		66				
OC6/25/34/76	25	76	10	34	38	7
OC6/25/34/86		86				
OC6/25/34/96		96				
OC6/25/34/106		106				
OC6/25/36/36		36				
OC6/25/36/46		46				
OC6/25/36/56		56				
OC6/25/36/66		66				
OC6/25/36/76	25	76	10	36*	40	7
OC6/25/36/86		86				
OC6/25/36/96		96				
OC6/25/36/106		106				
OC6/32/40/46		46				
OC6/32/40/56		56				
OC6/32/40/66		66				
OC6/32/40/76		76				
OC6/32/40/86	32	86	10	40	45	7
OC6/32/40/96		96				
OC6/32/40/106		106				
OC6/32/40/126		126				
OC6/32/45/56	40	56	10	48	52	8
Compatibile/similare a EBU1S / PBR / B1S						
Compatible/similar to EBU1S / PBR / B1S						

* su richiesta / on demand



Code	D1	L	X	D2	D3	K
OC6/32/45/66	40	66	10	48	52	8
OC6/32/45/76		76				
OC6/32/45/86		86				
OC6/32/45/96		96				
OC6/32/45/106		106				
OC6/32/45/126		126				
Compatibile/similare a EBU1S / PBR / B1S						
Compatible/similar to EBU1S / PBR / B1S						

MAT_1.7131 61-63 HRC



Code per n. pezzi

OC6 / D1 / D2 / L 4 pcs.

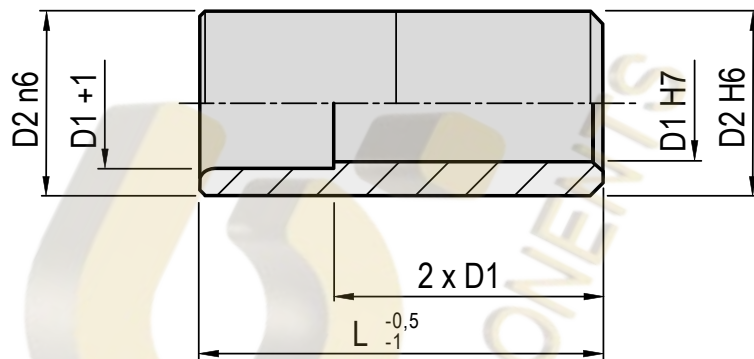


MAT_1.7131 61-63 HRC



Code per n. pezzi

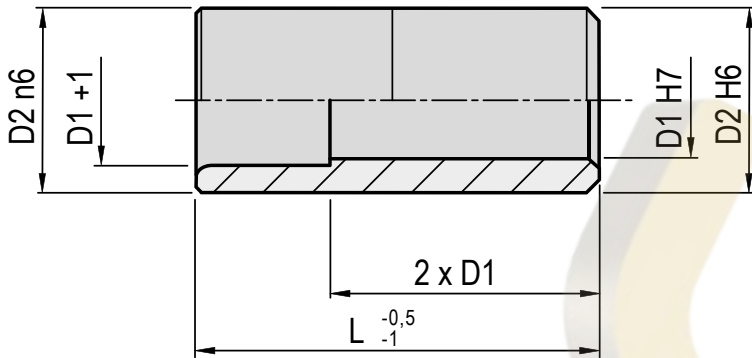
OC3 / D1 / D2 / L 4 pcs.



Code	D1	L	D2		
OC3/12/18/22	12	22	18		
OC3/12/18/26		26			
OC3/12/18/36		36			
OC3/12/18/46		46			
OC3/12/18/56		56			
OC3/14/20/22		14		22	20
OC3/14/20/26	26				
OC3/14/20/36	36				
OC3/14/20/46	46				
OC3/14/20/56	56				
OC3/14/20/66	66				
OC3/16/22/22	16	22	22		
OC3/16/22/26		26			
OC3/16/22/36		36			
OC3/16/22/46		46			
OC3/16/22/56		56			
OC3/16/22/66		66			
OC3/16/22/76		76			
OC3/16/22/86		86			
OC3/16/22/96		96			
OC3/18/26/22		18		22	26
OC3/18/26/26	26				
OC3/18/26/36	36				
OC3/18/26/46	46				
OC3/18/26/56	56				
OC3/18/26/66	66				
Compatibile/similare a EBU2 / PA / B2					
Compatible/similar to EBU2 / PA / B2					

Code	D1	L	D2		
OC3/18/26/76	18	76	26		
OC3/18/26/86		86			
OC3/18/26/96		96			
OC3/20/28/26		20		26	28
OC3/20/28/36	36				
OC3/20/28/46	46				
OC3/20/28/56	56				
OC3/20/28/66	66				
OC3/20/28/76	76				
OC3/20/28/86	86				
OC3/20/28/96	96				
OC3/20/30/26	20		26	30*	
OC3/20/30/36			36		
OC3/20/30/46		46			
OC3/20/30/56		56			
OC3/20/30/66		66			
OC3/20/30/76		76			
OC3/20/30/86		86			
OC3/20/30/96		96			
OC3/25/34/26		25	26		34
OC3/25/34/36			36		
OC3/25/34/46	46				
OC3/25/34/56	56				
OC3/25/34/66	66				
OC3/25/34/76	76				
OC3/25/34/86	86				
Compatibile/similare a EBU2 / PA / B2					
Compatible/similar to EBU2 / PA / B2					

* su richiesta / on demand



MAT_1.7131 61-63 HRC

Code per n. pezzi
OC3 / D1 / D2 / L 4 pcs.

Code	D1	L	D2
OC3/25/34/96	25	96	34
OC3/25/34/106		106	
OC3/25/34/116		116	
OC3/25/36/26		26	
OC3/25/36/36		36	
OC3/25/36/46		46	
OC3/25/36/56		56	
OC3/25/36/66		66	
OC3/25/36/76		76	
OC3/25/36/86		86	
OC3/25/36/96		96	
OC3/25/36/106	106		
OC3/25/36/116	116		
OC3/32/40/26	32	26	40
OC3/32/40/36		36	
OC3/32/40/46		46	
OC3/32/40/56		56	
OC3/32/40/66		66	
OC3/32/40/76		76	
OC3/32/40/86		86	
OC3/32/40/96		96	
OC3/32/40/106		106	
OC3/32/40/116		116	
OC3/40/48/46		40	
OC3/40/48/56	56		
OC3/40/48/66	66		
Compatibile/similare a EBU2 / PA / B2			
Compatible/similar to EBU2 / PA / B2			

Code	D1	L	D2
OC3/40/48/76	40	76	48
OC3/40/48/86		86	
OC3/40/48/96		96	
OC3/40/48/106		106	
OC3/40/48/116		116	
Compatibile/similare a EBU2 / PA / B2			
Compatible/similar to EBU2 / PA / B2			

* su richiesta / on demand

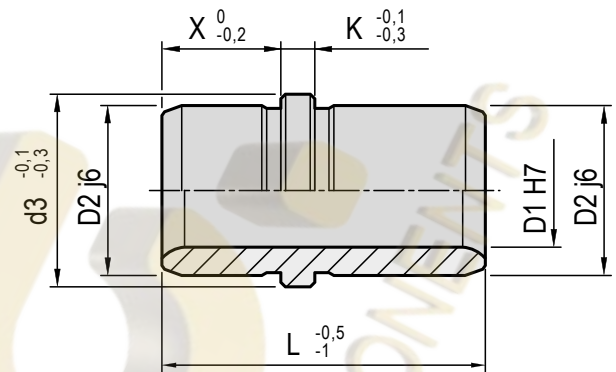


MAT_1.7131 61-63 HRC



Code per n. pezzi

OC5 / D1 / D2 / L 4 pcs.



* su richiesta / on demand

Code	D1	L	X	D2	D3	K	Code	D1	L	X	D2	D3	K	Code	D1	L	X	D2	D3	K
OC5/12/18/32	12	32	16	18	22	5	OC5/20/28/32	20	32	16	28	32	6	OC5/32/40/50	32	50	25	40	45	7
OC5/12/18/40	12	40	16	18	22	5	OC5/20/28/40	20	40	16	28	32	6	OC5/32/40/65	32	65	25	40	45	7
OC5/14/20/32	14	32	16	20	24	5	OC5/20/30/32	20	32	16	30*	34	6	OC5/40/48/65	40	65	32	48	52	8
OC5/14/20/40	14	40	16	20	24	5	OC5/20/30/40	20	40	16	30*	34	6	OC5/40/48/80	40	80	32	48	52	8
OC5/16/22/32	16	32	16	22	26	5	OC5/25/34/32	25	32	16	34	38	7	OC5/50/60/70	50	70	32	60	65	10
OC5/16/22/40	16	40	16	22	26	5	OC5/25/34/40	25	40	16	34	38	7	OC5/50/60/90	50	90	32	60	65	10
OC5/18/26/32	18	32	16	26	30	5	OC5/25/36/32	25	32	16	36*	40	7							
OC5/18/26/40	18	40	16	26	30	5	OC5/25/36/40	25	40	16	36*	40	7							
Compatibile/similare a EBU3 / PR / B3							Compatibile/similare a EBU3 / PR / B3							Compatibile/similare a EBU3 / PR / B3						
Compatible/similar to EBU3 / PR / B3							Compatible/similar to EBU3 / PR / B3							Compatible/similar to EBU3 / PR / B3						

BUSSOLE SPALLATE BRONZO INTEGRALE EJECTOR BRONZE GUIDE BUSHES

OC5B

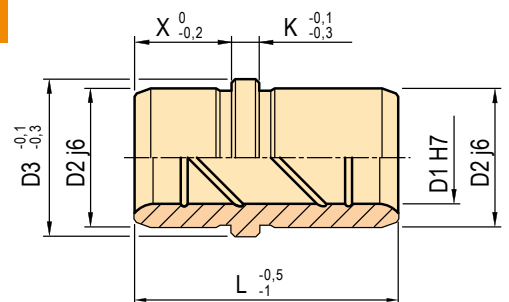
* su richiesta / on demand

MAT_BRONZO / BRONZE

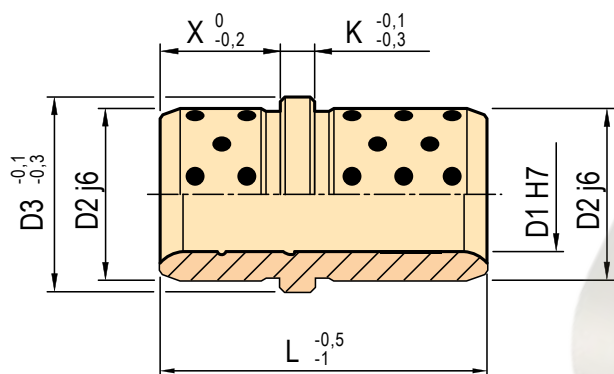


Code per n. pezzi

OC5B / D1 / D2 / L 4 pcs.



Code	D1	L	X	D2	D3	K	Code	D1	L	X	D2	D3	K	Code	D1	L	X	D2	D3	K
OC5B/12/18/32	12	32	16	18	22	5	OC5B/20/28/32	20	32	16	28	32	6	OC5B/32/40/50	32	50	25	40	45	7
OC5B/12/18/40	12	40	16	18	22	5	OC5B/20/28/40	20	40	16	28	32	6	OC5B/32/40/65	32	65	25	40	45	7
OC5B/14/20/32	14	32	16	20	24	5	OC5B/20/30/32	20	32	16	30*	34	6	OC5B/40/48/65	40	65	32	48	52	8
OC5B/14/20/40	14	40	16	20	24	5	OC5B/20/30/40	20	40	16	30*	34	6	OC5B/40/48/80	40	80	32	48	52	8
OC5B/16/22/32	16	32	16	22	26	5	OC5B/25/34/32	25	32	16	34	38	7	OC5B/50/60/70	50	70	32	60	65	10
OC5B/16/22/40	16	40	16	22	26	5	OC5B/25/34/40	25	40	16	34	38	7	OC5B/50/60/90	50	90	32	60	65	10
OC5B/18/26/32	18	32	16	26	30	5	OC5B/25/36/32	25	32	16	36*	40	7							
OC5B/18/26/40	18	40	16	26	30	5	OC5B/25/36/40	25	40	16	36*	40	7							
Compatibile/similare a EBU3B / PRB / B3B							Compatibile/similare a EBU3B / PRB / B3B							Compatibile/similare a EBU3B / PRB / B3B						
Compatible/similar to EBU3B / PRB / B3B							Compatible/similar to EBU3B / PRB / B3B							Compatible/similar to EBU3B / PRB / B3B						



MAT_LEGA SPECIALE+GRAFITE

MAT_SPECIAL ALLOY+GRAPHITE



Code per n. pezzi

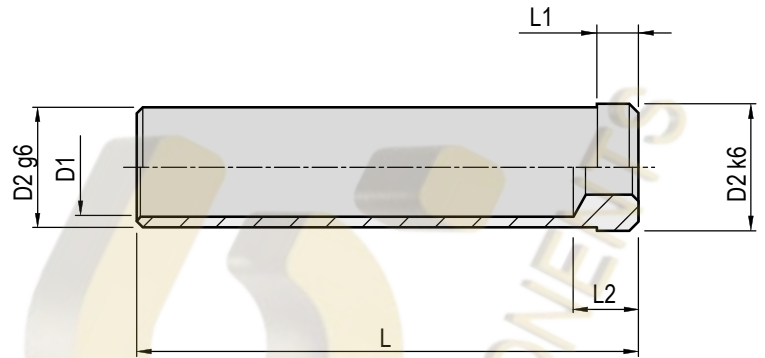
OC5 / D1 / D2 / L 4 pcs.

Code	D1	L	X	D2	D3	K
OC5BG/12/18/32	12	32	16	18	22	5
OC5BG/12/18/40		40				
OC5BG/14/20/32	14	32	16	20	24	5
OC5BG/14/20/40		40				
OC5BG/16/22/32	16	32	16	22	26	5
OC5BG/16/22/40		40				
OC5BG/18/26/32	18	32	16	26	30	5
OC5BG/18/26/40		40				
Compatibile/similare a EBU3B / PRB / B3B						
Compatible/similar to EBU3B / PRB / B3B						

Code	D1	L	X	D2	D3	K
OC5BG/20/28/32	20	32	16	28	32	6
OC5BG/20/28/40		40				
OC5BG/20/30/32	20	32	16	30*	34	6
OC5BG/20/30/40		40				
OC5BG/25/34/32	25	32	16	34	38	7
OC5BG/25/34/40		40				
OC5BG/25/36/32	25	32	16	36*	40	7
OC5BG/25/36/40		40				
Compatibile/similare a EBU3B / PRB / B3B						
Compatible/similar to EBU3B / PRB / B3B						

Code	D1	L	X	D2	D3	K
OC5BG/32/40/50	32	50	25	40	45	7
OC5BG/32/40/65		65				
OC5BG/40/48/65	40	65	32	48	52	8
OC5BG/40/48/80		80				
OC5BG/50/60/70	50	70	32	60	65	10
OC5BG/50/60/90		90				
Compatibile/similare a EBU3B / PRB / B3B						
Compatible/similar to EBU3B / PRB / B3B						

* su richiesta / on demand



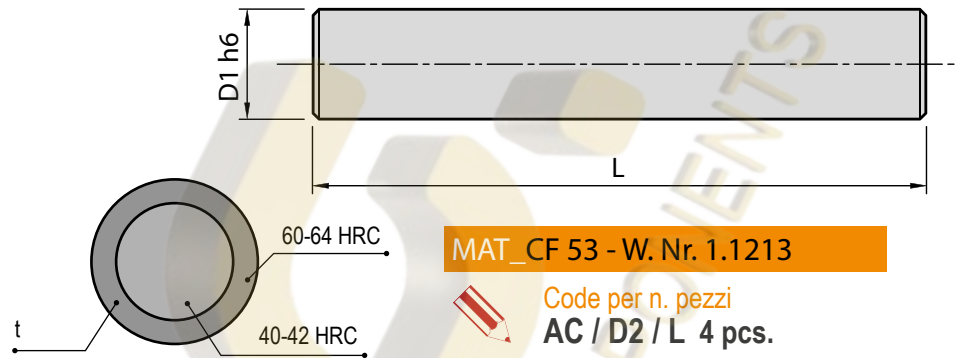
MAT_ 1.7131 61-63 HRC



Code per n. pezzi
BC / D2 / L 4 pcs.

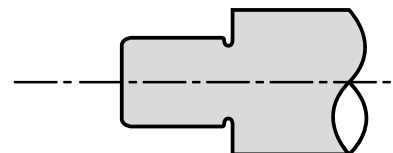
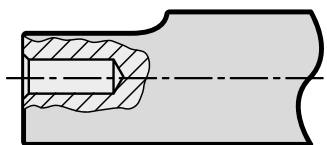
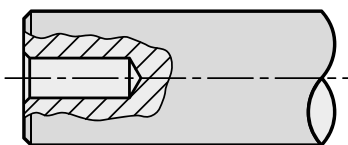
Code	D2	L	D1	L2	L1
BC/22/40		40			
BC/22/60		60			
BC/22/80		80			
BC/22/100	22	100	17	13	6
BC/22/120		120			
BC/22/140		140			
BC/22/160		160			
BC/28/60		60			
BC/28/80		80			
BC/28/100	28	100	21	13	6
BC/28/120		120			
BC/28/140		140			
BC/28/160		160			
BC/30/60		60			
BC/30/80		80			
BC/30/100	30	100	25	13	6
BC/30/120		120			
BC/30/140		140			
BC/30/160		160			
Compatibile/similare a EZ / P1					
Compatible/similar to EZ / P1					

Code	D2	L	D1	L2	L1
BC/34/60		60			
BC/34/80		80			
BC/34/100	34	100	26	13	6
BC/34/120		120			
BC/34/140		140			
BC/34/160		160			
BC/36/60		60			
BC/36/80		80			
BC/36/100	36	100	26	13	6
BC/36/120		120			
BC/36/140		140			
BC/36/160		160			
BC/40/60		60			
BC/40/80		80			
BC/40/100	40	100	33	13	6
BC/40/120		120			
BC/40/140		140			
BC/40/160		160			
Compatibile/similare a EZ / P1					
Compatible/similar to EZ / P1					



Code	D1	t ~ mm	L1
AC/06/1000	6	0,5 - 0,8	1000
AC/08/1000	8	0,6 - 0,9	1000
AC/10/1000	10	0,7 - 1,0	1000
AC/12/1000	12	0,8 - 1,2	1000
AC/14/1000	14	0,9 - 1,3	1000
AC/15/1000	15	1,0 - 1,4	1000
AC/16/1000	16	1,1 - 1,5	1000
AC/18/1000	18	1,1 - 1,5	1000
AC/20/1000	20	1,2 - 1,5	1000
AC/22/1000	22	1,2 - 1,5	1000
AC/24/1000	24	1,4 - 1,6	1000
AC/25/1000	25	1,5 - 1,7	1000
AC/28/1000	28	1,5 - 1,8	1000
AC/30/1000	30	1,5 - 1,9	1000
AC/32/1000	32	1,5 - 1,9	1000
AC/35/1000	35	1,8 - 1,9	1000
AC/40/1000	40	1,6 - 2,0	1000
AC/45/1000	45	1,6 - 2,0	1000
AC/50/1000	50	2,2 - 2,6	1000
AC/60/1000	60	2,2 - 2,6	1000
A richiesta altre lunghezze On request different lengths			

ESEMPI DI LAVORAZIONI / PRODUCTION EXAMPLES





T.D.S.

Via Maestri del Lavoro, 12
33080 Fiume Veneto (PN) Italy
Telefono/*Phone*: +39 0434 564010
Fax: +39 0434 564008

Per richieste di informazioni, offerte e ordini / *For enquires, quotations and orders*:
UFFICIO COMMERCIALE/*COMMERCIAL OFFICE*: commerciale@tdspn.it

Per informazioni amministrative / *For administrative informations*:
AMMINISTRAZIONE/*ADMINISTRATION OFFICE*: amministrazione@tdspn.it