

# T.D.S.

ELEMENTS FOR  
MOULD & DIE



**PLASTICA E PRESSOFUSIONE  
ELEMENTI DI GUIDA SERIE EURO**

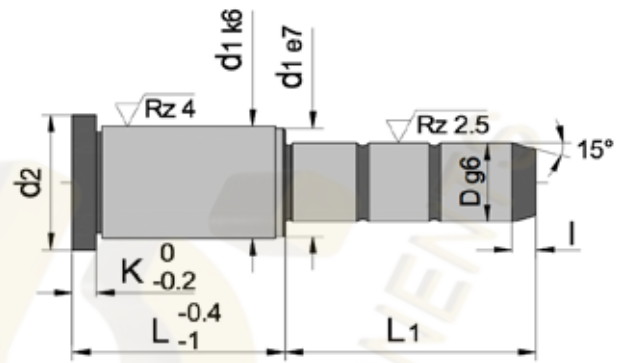
***PLASTIC AND DIE-CASTING  
EURO GUIDE ELEMENTS***



# INDICE ELEMENTI DI GUIDA SERIE EURO

## EURO GUIDE ELEMENTS LIST

<b>HZ03</b>  pg. 4 - 9	<b>HZ00</b>  pg. 10 - 16	<b>HZ11</b>  pg. 17 - 19	<b>HZ11B</b>  pg. 20 - 22	<b>HZ11BG</b>  pg. 22 - 23	<b>HZ10</b>  pg. 24 - 25
<b>HZ10B</b>  pg. 26	<b>HZ10BG</b>  pg. 27	<b>HZ13B</b>  pg. 28	<b>HZ13BG</b>  pg. 28	<b>ME1120</b>  pg. 29	<b>ME1125</b>  pg. 30
<b>TSGEG</b>  pg. 31	<b>TOB</b>  pg. 32 - 33	<b>HZ20</b>  pg. 34 - 35	<b>HZ01</b>  pg. 36 - 38	<b>ME1030</b>  pg. 39 - 41	<b>HZ016</b>  pg. 42 - 43
<b>HZ010</b>  pg. 44 - 46	<b>HZ011</b>  pg. 47 - 48	<b>HZ022</b>  pg. 49	<b>HZ02</b>  pg. 50 - 51	<b>ME1510</b>  pg. 52 - 53	<b>HZ12BU</b>  pg. 54
<b>HZ12G</b>  pg. 54	<b>HZ012</b>  pg. 55	<b>HZ013</b>  pg. 55	<b>ME1140</b>  pg. 56	<b>ME1332</b>  pg. 56	<b>ME1035</b>  pg. 57
<b>ME1040</b>  pg. 58	<b>BSS1</b>  pg. 59	<b>BSS2</b>  pg. 59	<b>BSS3</b>  pg. 60	<b>B6-B8</b>  pg. 60	<b>CSS8</b>  pg. 61
<b>BSS12</b>  pg. 62	<b>CSS18</b>  pg. 62	<b>BSS737</b>  pg. 63	<b>ME1144</b>  pg. 63	<b>CSS858</b>  pg. 64	<b>BSS852</b>  pg. 64
<b>CI</b>  pg. 65					



**MAT\_ 1.7139 ca. 700 HV**



Code per n. pezzi

**HZ03 / D / L / L1 4 pcs.**

Code	D	L	L1	I	d1	d2	K
HZ03/9(10)/12/45	9/10	12	45	4	14	16	3
HZ03/9(10)/17/20			20				
HZ03/9(10)/17/30	9/10	17	30	4	14	16	3
HZ03/9(10)/17/35			35				
HZ03/9(10)/22/25			25				
HZ03/9(10)/22/35	9/10	22	35	4	14	16	3
HZ03/9(10)/22/55			55				
HZ03/9(10)/27/25			25				
HZ03/9(10)/27/30			30				
HZ03/9(10)/27/35	9/10	27	35	4	14	16	3
HZ03/9(10)/27/45			45				
HZ03/9(10)/27/50			50				
HZ03/9(10)/36/25			25				
HZ03/9(10)/36/35	9/10	36	35	4	14	16	3
HZ03/9(10)/36/45			45				
HZ03/9(10)/46/30			30				
HZ03/9(10)/46/45	9/10	46	45	4	14	16	3
HZ03/9(10)/46/55			55				
HZ03/9(10)/46/75			75				
HZ03/14(15)/17/35			35				
HZ03/14(15)/17/55	14/15	17	55	5	20	25	6
HZ03/14(15)/17/75			75				
HZ03/14(15)/17/95			95				
HZ03/14(15)/22/20			20				
HZ03/14(15)/22/35	14/15	22	35	5	20	25	6
HZ03/14(15)/22/40			40				

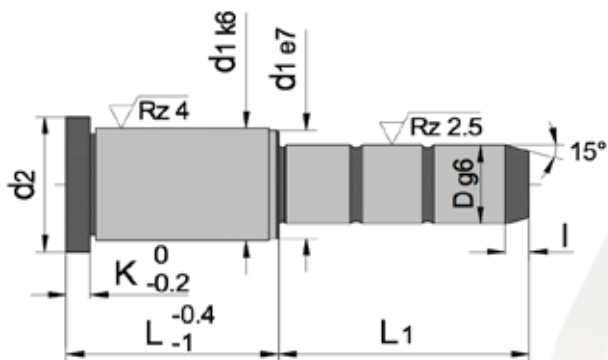
Possibilità di fornire compatibili ME1010 | We can provide ME1010 compatibles

Compatibile/similare a Z03 - E1010 | Compatible/similar to Z03 - E1010

Code	D	L	L1	I	d1	d2	K
HZ03/14(15)/22/45			45				
HZ03/14(15)/22/50			50				
HZ03/14(15)/22/55			55				
HZ03/14(15)/22/65	14/15	22	65	5	20	25	6
HZ03/14(15)/22/70			70				
HZ03/14(15)/22/90			90				
HZ03/14(15)/22/110			110				
HZ03/14(15)/27/20			20				
HZ03/14(15)/27/35			35				
HZ03/14(15)/27/40			40				
HZ03/14(15)/27/45	14/15	27	45	5	20	25	6
HZ03/14(15)/27/55			55				
HZ03/14(15)/27/65			65				
HZ03/14(15)/27/85			85				
HZ03/14(15)/27/105			105				
HZ03/14(15)/36/20			20				
HZ03/14(15)/36/35			35				
HZ03/14(15)/36/40			40				
HZ03/14(15)/36/45	14/15	36	45	5	20	25	6
HZ03/14(15)/36/55			55				
HZ03/14(15)/36/65			65				
HZ03/14(15)/36/75			75				
HZ03/14(15)/36/95			95				
HZ03/14(15)/46/20			20				
HZ03/14(15)/46/35	14/15	46	35	5	20	25	6
HZ03/14(15)/46/45			45				

Possibilità di fornire compatibili ME1010 | We can provide ME1010 compatibles

Compatibile/similare a Z03 - E1010 | Compatible/similar to Z03 - E1010



**MAT\_1.7139 ca. 700 HV**



Code per n. pezzi

**HZ03 / D / L / L1 4 pcs.**

Code	D	L	L1	l	d1	d2	K
HZ03/14(15)/46/65			65				
HZ03/14(15)/46/85	14/15	46	85	5	20	25	6
HZ03/14(15)/46/105			105				
HZ03/14(15)/56/20			20				
HZ03/14(15)/56/35			35				
HZ03/14(15)/56/55	14/15	56	55	5	20	25	6
HZ03/14(15)/56/75			75				
HZ03/14(15)/56/95			95				
HZ03/14(15)/66/55			55				
HZ03/14(15)/66/65	14/15	66	65	5	20	25	6
HZ03/14(15)/66/95			95				
HZ03/14(15)/76/55	14/15	76	55	5	20	25	6
HZ03/14(15)/76/95			95				
HZ03/14(15)/86/55	14/15	86	55	5	20	25	6
HZ03/14(15)/86/95			95				
HZ03/14(15)/96/55	14/15	96	55	5	20	25	6
HZ03/14(15)/96/95			95				
HZ03/18(20)/22/20			20				
HZ03/18(20)/22/35			35				
HZ03/18(20)/22/40			40				
HZ03/18(20)/22/45			45				
HZ03/18(20)/22/50	18/20	22	50	7	26	31	6
HZ03/18(20)/22/55			55				
HZ03/18(20)/22/60			60				
HZ03/18(20)/22/65			65				
HZ03/18(20)/22/70			70				

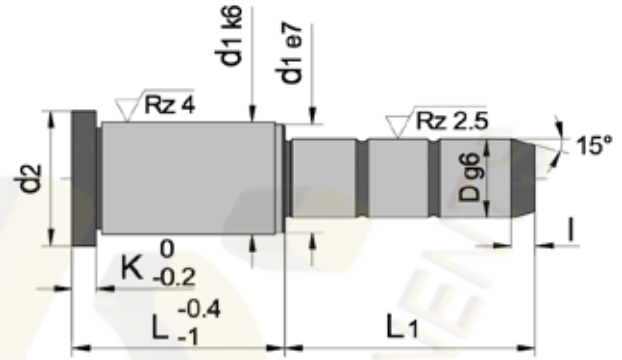
Possibilità di fornire compatibili ME1010 | We can provide ME1010 compatibles

Compatibile/similare a Z03 - E1010 | Compatible/similar to Z03 - E1010

Code	D	L	L1	l	d1	d2	K
HZ03/18(20)/22/80			80				
HZ03/18(20)/22/85	18/20	22	85	7	26	31	6
HZ03/18(20)/22/115			115				
HZ03/18(20)/27/20			20				
HZ03/18(20)/27/35			35				
HZ03/18(20)/27/40			40				
HZ03/18(20)/27/45			45				
HZ03/18(20)/27/50			50				
HZ03/18(20)/27/55			55				
HZ03/18(20)/27/60	18/20	27	60	7	26	31	6
HZ03/18(20)/27/65			65				
HZ03/18(20)/27/70			70				
HZ03/18(20)/27/80			80				
HZ03/18(20)/27/85			85				
HZ03/18(20)/27/105			105				
HZ03/18(20)/27/125			125				
HZ03/18(20)/36/20			20				
HZ03/18(20)/36/35			35				
HZ03/18(20)/36/40			40				
HZ03/18(20)/36/45			45				
HZ03/18(20)/36/50	18/20	36	50	7	26	31	6
HZ03/18(20)/36/55			55				
HZ03/18(20)/36/60			60				
HZ03/18(20)/36/65			65				
HZ03/18(20)/36/70			70				
HZ03/18(20)/36/75			75				

Possibilità di fornire compatibili ME1010 | We can provide ME1010 compatibles

Compatibile/similare a Z03 - E1010 | Compatible/similar to Z03 - E1010



**MAT\_ 1.7139 ca. 700 HV**



Code per n. pezzi  
**HZ03 / D / L / L1 4 pcs.**

Code	D	L	L1	I	d1	d2	K
HZ03/18(20)/36/80			80				
HZ03/18(20)/36/95	18/20	36	95	7	26	31	6
HZ03/18(20)/36/115			115				
HZ03/18(20)/36/135			135				
HZ03/18(20)/46/20			20				
HZ03/18(20)/46/45			45				
HZ03/18(20)/46/65			65				
HZ03/18(20)/46/85	18/20	46	85	7	26	31	6
HZ03/18(20)/46/105			105				
HZ03/18(20)/46/135			135				
HZ03/18(20)/46/165			165				
HZ03/18(20)/56/20			20				
HZ03/18(20)/56/35			35				
HZ03/18(20)/56/55	18/20	56	55	7	26	31	6
HZ03/18(20)/56/75			75				
HZ03/18(20)/56/95			95				
HZ03/18(20)/66/55			55				
HZ03/18(20)/66/75	18/20	66	75	7	26	31	6
HZ03/18(20)/66/95			95				
HZ03/18(20)/76/55			55				
HZ03/18(20)/76/75	18/20	76	75	7	26	31	6
HZ03/18(20)/76/95			95				
HZ03/18(20)/86/55			55				
HZ03/18(20)/86/75	18/20	86	75	7	26	31	6
HZ03/18(20)/86/95			95				
HZ03/18(20)/96/55	18/20	96	55	7	26	31	6

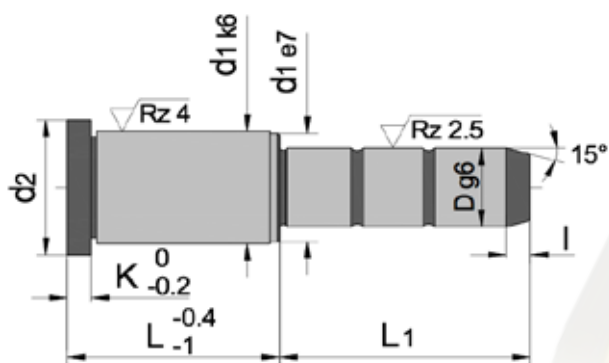
Possibilità di fornire compatibili ME1010 | We can provide ME1010 compatibles

Compatibile/similare a Z03 - E1010 | Compatible/similar to Z03 - E1010

Code	D	L	L1	I	d1	d2	K
HZ03/18(20)/96/95	18/20	96	95	7	26	31	6
HZ03/18(20)/116/115	18/20	116	115	7	26	31	6
HZ03/22(24)/27/25			25				
HZ03/22(24)/27/45			45				
HZ03/22(24)/27/50			50				
HZ03/22(24)/27/60			60				
HZ03/22(24)/27/65			65				
HZ03/22(24)/27/70	22/24	27	70	7	30	35	6
HZ03/22(24)/27/80			80				
HZ03/22(24)/27/85			85				
HZ03/22(24)/27/105			105				
HZ03/22(24)/27/125			125				
HZ03/22(24)/27/165			165				
HZ03/22(24)/36/25			25				
HZ03/22(24)/36/45			45				
HZ03/22(24)/36/50			50				
HZ03/22(24)/36/55			55				
HZ03/22(24)/36/60			60				
HZ03/22(24)/36/70	22/24	36	70	7	30	35	6
HZ03/22(24)/36/75			75				
HZ03/22(24)/36/80			80				
HZ03/22(24)/36/95			95				
HZ03/22(24)/36/115			115				
HZ03/22(24)/36/135			135				
HZ03/22(24)/36/165			165				
HZ03/22(24)/46/25	22/24	46	25	7	30	35	6

Possibilità di fornire compatibili ME1010 | We can provide ME1010 compatibles

Compatibile/similare a Z03 - E1010 | Compatible/similar to Z03 - E1010



**MAT\_1.7139 ca. 700 HV**



Code per n. pezzi

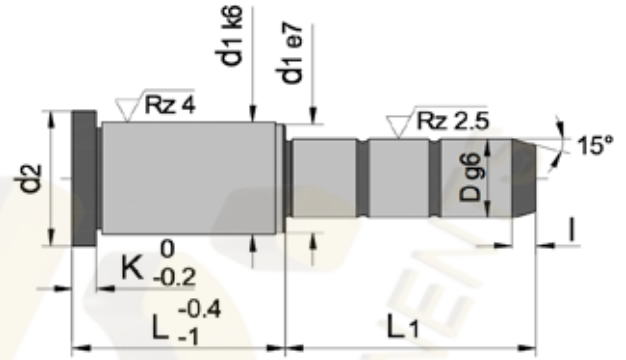
**HZ03 / D / L / L1 4 pcs.**

Code	D	L	L1	I	d1	d2	K
HZ03/22(24)/46/45			45				
HZ03/22(24)/46/50			50				
HZ03/22(24)/46/60			60				
HZ03/22(24)/46/65			65				
HZ03/22(24)/46/70	22/24	46	70	7	30	35	6
HZ03/22(24)/46/80			80				
HZ03/22(24)/46/85			85				
HZ03/22(24)/46/105			105				
HZ03/22(24)/46/125			125				
HZ03/22(24)/46/165			165				
HZ03/22(24)/56/25			25				
HZ03/22(24)/56/45			45				
HZ03/22(24)/56/55			55				
HZ03/22(24)/56/75	22/24	56	75	7	30	35	6
HZ03/22(24)/56/95			95				
HZ03/22(24)/56/115			115				
HZ03/22(24)/56/165			165				
HZ03/22(24)/66/55			55				
HZ03/22(24)/66/75	22/24	66	75	7	30	35	6
HZ03/22(24)/66/95			95				
HZ03/22(24)/76/25			25				
HZ03/22(24)/76/45			45				
HZ03/22(24)/76/55	22/24	76	55	7	30	35	6
HZ03/22(24)/76/75			75				
HZ03/22(24)/76/95			95				
HZ03/22(24)/76/115			115				

Possibilità di fornire compatibili ME1010 | We can provide ME1010 compatibles  
Compatibile/similare a Z03 - E1010 | Compatible/similar to Z03 - E1010

Code	D	L	L1	I	d1	d2	K
HZ03/22(24)/86/55			55				
HZ03/22(24)/86/75	22/24	86	75	7	30	35	6
HZ03/22(24)/86/95			95				
HZ03/22(24)/96/55			55				
HZ03/22(24)/96/75	22/24	96	75	7	30	35	6
HZ03/22(24)/96/95			95				
HZ03/22(24)/116/75			75				
HZ03/22(24)/116/115	22/24	116	115	7	30	35	6
HZ03/22(24)/116/155			155				
HZ03/22(24)/136/135	22/24	136	135	7	30	35	6
HZ03/30(32)/27/45			45				
HZ03/30(32)/27/65	30/32	27	65	7	42	47	6
HZ03/30(32)/27/105			105				
HZ03/30(32)/27/165			165				
HZ03/30(32)/36/55			55				
HZ03/30(32)/36/75			75				
HZ03/30(32)/36/95	30/32	36	95	7	42	47	6
HZ03/30(32)/36/115			115				
HZ03/30(32)/36/155			155				
HZ03/30(32)/46/45			45				
HZ03/30(32)/46/65			65				
HZ03/30(32)/46/85	30/32	46	85	7	42	47	6
HZ03/30(32)/46/105			105				
HZ03/30(32)/46/125			125				
HZ03/30(32)/46/165			165				
HZ03/30(32)/56/55	30/32	56	55	7	42	47	6

Possibilità di fornire compatibili ME1010 | We can provide ME1010 compatibles  
Compatibile/similare a Z03 - E1010 | Compatible/similar to Z03 - E1010



**MAT\_ 1.7139 ca. 700 HV**



Code per n. pezzi

**HZ03 / D / L / L1 4 pcs.**

Code	D	L	L1	l	d1	d2	K
HZ03/30(32)/56/75			75				
HZ03/30(32)/56/95			95				
HZ03/30(32)/56/115	30/32	56	115	7	42	47	6
HZ03/30(32)/56/135			135				
HZ03/30(32)/56/175			175				
HZ03/30(32)/66/55			55				
HZ03/30(32)/66/75			75				
HZ03/30(32)/66/95	30/32	66	95	7	42	47	6
HZ03/30(32)/66/115			115				
HZ03/30(32)/66/135			135				
HZ03/30(32)/66/175			175				
HZ03/30(32)/76/55			55				
HZ03/30(32)/76/75			75				
HZ03/30(32)/76/95	30/32	76	95	7	42	47	6
HZ03/30(32)/76/115			115				
HZ03/30(32)/76/155			155				
HZ03/30(32)/86/55			55				
HZ03/30(32)/86/75			75				
HZ03/30(32)/86/95	30/32	86	95	7	42	47	6
HZ03/30(32)/86/115			115				
HZ03/30(32)/86/155			155				
HZ03/30(32)/96/55			55				
HZ03/30(32)/96/75			75				
HZ03/30(32)/96/95	30/32	96	95	7	42	47	6
HZ03/30(32)/96/115			115				
HZ03/30(32)/96/155			155				

Possibilità di fornire compatibili ME1010 | We can provide ME1010 compatibles

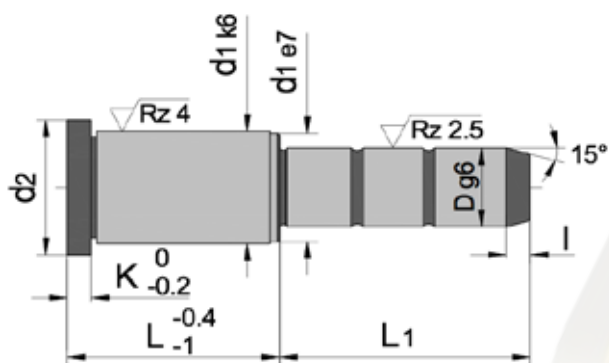
Compatibile/similare a Z03 - E1010 | Compatible/similar to Z03 - E1010

Code	D	L	L1	l	d1	d2	K
HZ03/30(32)/116/75			75				
HZ03/30(32)/116/115	30/32	116	115	7	42	47	6
HZ03/30(32)/116/155			155				
HZ03/30(32)/136/95			95				
HZ03/30(32)/136/115	30/32	136	115	7	42	47	6
HZ03/30(32)/136/155			155				
HZ03/30(32)/156/115	30/32	156	115	7	42	47	6
HZ03/30(32)/156/155			155				
HZ03/30(32)/176/135	30/32	176	135	7	42	47	6
HZ03/30(32)/176/175			175				
HZ03/30(32)/196/155	30/32	196	155	7	42	47	6
HZ03/30(32)/196/195			195				
HZ03/40(42)/56/75			75				
HZ03/40(42)/56/115	40/42	56	115	10	54	59	10
HZ03/40(42)/56/155			155				
HZ03/40(42)/56/195			195				
HZ03/40(42)/66/75	40/42	66	75	10	54	59	10
HZ03/40(42)/66/135			135				
HZ03/40(42)/76/75			75				
HZ03/40(42)/76/115	40/42	76	115	10	54	59	10
HZ03/40(42)/76/175			175				
HZ03/40(42)/86/75	40/42	86	75	10	54	59	10
HZ03/40(42)/86/135			135				
HZ03/40(42)/96/75			75				
HZ03/40(42)/96/115	40/42	96	115	10	54	59	10
HZ03/40(42)/96/155			155				

Possibilità di fornire compatibili ME1010 | We can provide ME1010 compatibles

Compatibile/similare a Z03 - E1010 | Compatible/similar to Z03 - E1010





**MAT\_1.7139 ca. 700 HV**

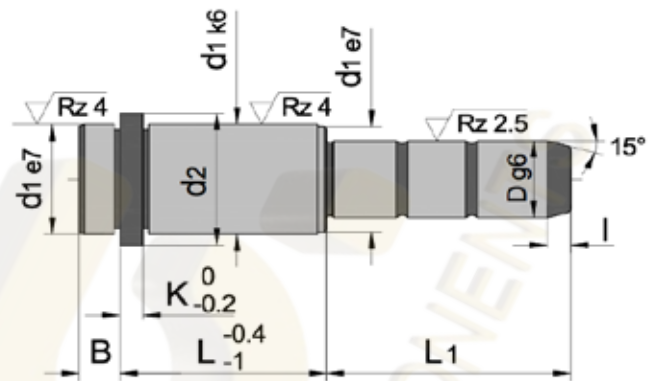


Code per n. pezzi

**HZ03 / D / L / L1 4 pcs.**

Code	D	L	L1	I	d1	d2	K
HZ03/40(42)/116/95			95				
HZ03/40(42)/116/135	40/42	116	135	10	54	59	10
HZ03/40(42)/116/195			195				
HZ03/40(42)/136/95			95				
HZ03/40(42)/136/135	40/42	136	135	10	54	59	10
HZ03/40(42)/136/215			215				
HZ03/40(42)/156/115			115				
HZ03/40(42)/156/155	40/42	156	155	10	54	59	10
HZ03/40(42)/156/215			215				
HZ03/40(42)/176/135			135				
HZ03/40(42)/176/155	40/42	176	155	10	54	59	10
HZ03/40(42)/176/175			175				
HZ03/40(42)/196/155			155				
HZ03/40(42)/196/195	40/42	196	195	10	54	59	10
HZ03/40(42)/196/235			235				
HZ03/40(42)/246/165	40/42	246	165	10	54	59	10
HZ03/40(42)/246/245			245				
HZ03/50(52)/96/115			115				
HZ03/50(52)/96/155	50/52	96	155	10	66	71	10
HZ03/50(52)/96/195			195				
HZ03/50(52)/116/135			135				
HZ03/50(52)/116/155	50/52	116	155	10	66	71	10
HZ03/50(52)/116/195			195				
HZ03/50(52)/136/135			135				
HZ03/50(52)/136/155	50/52	136	155	10	66	71	10
HZ03/50(52)/136/195			195				
Possibilità di fornire compatibili ME1010   We can provide ME1010 compatibles							
Compatibile/similare a Z03 - E1010   Compatible/similar to Z03 - E1010							

Code	D	L	L1	I	d1	d2	K
HZ03/50(52)/156/155			155				
HZ03/50(52)/156/195	50/52	156	195	10	66	71	10
HZ03/50(52)/156/235			235				
HZ03/50(52)/196/175			175				
HZ03/50(52)/196/195	50/52	196	195	10	66	71	10
HZ03/50(52)/196/235			235				
HZ03/60(62)/96/115			115				
HZ03/60(62)/96/155	60/62	96	155	10	80	86	20
HZ03/60(62)/96/195			195				
HZ03/60(62)/116/135			135				
HZ03/60(62)/116/155	60/62	116	155	10	80	86	20
HZ03/60(62)/116/195			195				
HZ03/60(62)/136/135			135				
HZ03/60(62)/136/155	60/62	136	155	10	80	86	20
HZ03/60(62)/136/195			195				
HZ03/60(62)/156/155			155				
HZ03/60(62)/156/195	60/62	156	195	10	80	86	20
HZ03/60(62)/156/235			235				
HZ03/60(62)/196/175			175				
HZ03/60(62)/196/195	60/62	196	195	10	80	86	20
HZ03/60(62)/196/235			235				
HZ03/60(62)/246/195			195				
HZ03/60(62)/246/235	60/62	246	235	10	80	86	20
HZ03/60(62)/246/275			275				
HZ03/60(62)/246/315			315				
Possibilità di fornire compatibili ME1010   We can provide ME1010 compatibles							
Compatibile/similare a Z03 - E1010   Compatible/similar to Z03 - E1010							



**MAT\_ 1.7139 ca. 700HV**



Code per n. pezzi  
**HZ00 / D / L / L1 4 pcs.**

Code	D	L	L1	I	d1	d2	K	B
HZ00/9(10)/12/25			25					
HZ00/9(10)/12/45	9/10	12	45	4	14	16	3	3
HZ00/9(10)/12/65			65					
HZ00/9(10)/17/20			20					
HZ00/9(10)/17/25			25					
HZ00/9(10)/17/30			30					
HZ00/9(10)/17/35	9/10	17	35	4	14	16	3	3
HZ00/9(10)/17/50			50					
HZ00/9(10)/17/55			55					
HZ00/9(10)/17/70			70					
HZ00/9(10)/17/75			75					
HZ00/9(10)/22/25			25					
HZ00/9(10)/22/35			35					
HZ00/9(10)/22/55	9/10	22	55	4	14	16	3	3
HZ00/9(10)/22/75			75					
HZ00/9(10)/22/95			95					
HZ00/9(10)/27/20			20					
HZ00/9(10)/27/25			25					
HZ00/9(10)/27/30			30					
HZ00/9(10)/27/35	9/10	27	35	4	14	16	3	3
HZ00/9(10)/27/45			45					
HZ00/9(10)/27/50			50					
HZ00/9(10)/27/70			70					
HZ00/9(10)/27/90			90					
HZ00/9(10)/36/25	9/10	36	25	4	14	16	3	3
HZ00/9(10)/36/35			35					

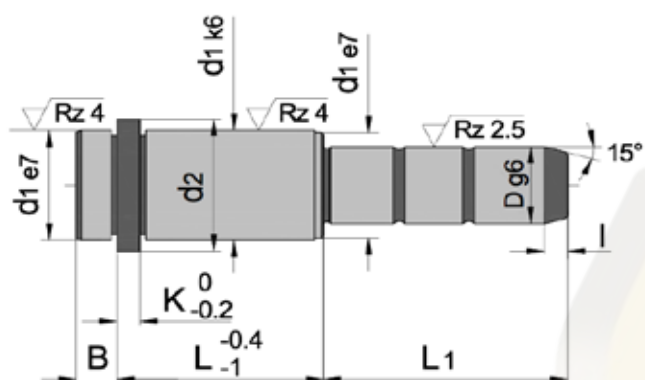
Possibilità di fornire compatibili ME1000 | We can provide ME1000 compatibles

Compatibile/similare a Z00 - E1000 | Compatible/similar to Z03 - E1000

Code	D	L	L1	I	d1	d2	K	B
HZ00/9(10)/36/45			45					
HZ00/9(10)/36/55	9/10	36	55	4	14	16	3	3
HZ00/9(10)/36/65			65					
HZ00/9(10)/36/85			85					
HZ00/9(10)/46/30			30					
HZ00/9(10)/46/35			35					
HZ00/9(10)/46/45	9/10	46	45	4	14	16	3	3
HZ00/9(10)/46/55			55					
HZ00/9(10)/46/70			70					
HZ00/9(10)/56/35	9/10	56	35	4	14	16	3	3
HZ00/9(10)/56/60			60					
HZ00/14(15)/17/35			35					
HZ00/14(15)/17/55	14/15	17	55	5	20	25	6	9
HZ00/14(15)/17/75			75					
HZ00/14(15)/17/95			95					
HZ00/14(15)/22/25			25					
HZ00/14(15)/22/30			30					
HZ00/14(15)/22/35			35					
HZ00/14(15)/22/50			50					
HZ00/14(15)/22/70	14/15	22	70	5	20	25	6	9
HZ00/14(15)/22/90			90					
HZ00/14(15)/22/110			110					
HZ00/14(15)/22/125			125					
HZ00/14(15)/22/150			150					
HZ00/14(15)/27/25	14/15	27	25	5	20	25	6	9
HZ00/14(15)/27/30			30					

Possibilità di fornire compatibili ME1000 | We can provide ME1000 compatibles

Compatibile/similare a Z00 - E1000 | Compatible/similar to Z03 - E1000



**MAT\_ 1.7139 ca. 700HV**

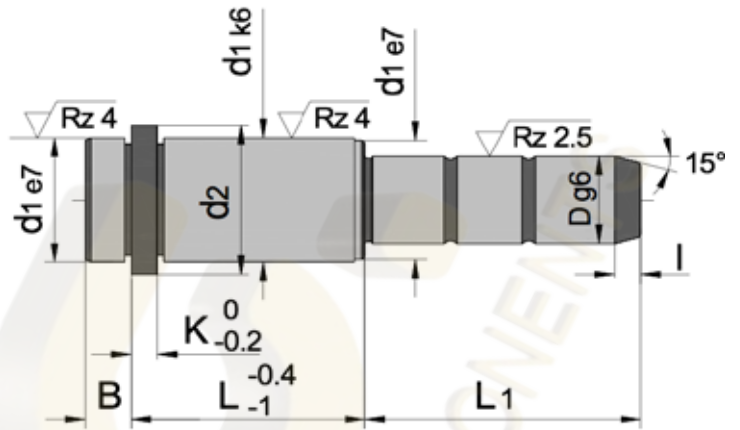


Code per n. pezzi

**HZ00 / D / L / L1 4 pcs.**

Code	D	L	L1	I	d1	d2	K	B
HZ00/14(15)/27/45			45					
HZ00/14(15)/27/65			65					
HZ00/14(15)/27/85			85					
HZ00/14(15)/27/95			95					
HZ00/14(15)/27/105	14/15	27	105	5	20	25	6	9
HZ00/14(15)/27/115			115					
HZ00/14(15)/27/125			125					
HZ00/14(15)/27/145			145					
HZ00/14(15)/27/165			165					
HZ00/14(15)/36/35			35					
HZ00/14(15)/36/55			55					
HZ00/14(15)/36/75			75					
HZ00/14(15)/36/95	14/15	36	95	5	20	25	6	9
HZ00/14(15)/36/115			115					
HZ00/14(15)/36/125			125					
HZ00/14(15)/36/155			155					
HZ00/14(15)/46/35			35					
HZ00/14(15)/46/45			45					
HZ00/14(15)/46/65			65					
HZ00/14(15)/46/85	14/15	46	85	5	20	25	6	9
HZ00/14(15)/46/105			105					
HZ00/14(15)/46/125			125					
HZ00/14(15)/46/145			145					
HZ00/14(15)/56/35			35					
HZ00/14(15)/56/55	14/15	56	55	5	20	25	6	9
HZ00/14(15)/56/75			75					
Possibilità di fornire compatibili ME1000   We can provide ME1000 compatibles								
Compatibile/similare a Z00 - E1000   Compatible/similar to Z03 - E1000								

Code	D	L	L1	I	d1	d2	K	B
HZ00/14(15)/56/95			95					
HZ00/14(15)/56/115	14/15	56	115	5	20	25	6	9
HZ00/14(15)/56/135			135					
HZ00/14(15)/66/55			55					
HZ00/14(15)/66/65	14/15	66	65	5	20	25	6	9
HZ00/14(15)/66/95			95					
HZ00/14(15)/66/125			125					
HZ00/14(15)/76/55			55					
HZ00/14(15)/76/95	14/15	76	95	5	20	25	6	9
HZ00/14(15)/86/55			55					
HZ00/14(15)/86/75	14/15	86	75	5	20	25	6	9
HZ00/14(15)/86/95			95					
HZ00/14(15)/96/55			55					
HZ00/14(15)/96/95	14/15	96	95	5	20	25	6	9
HZ00/14(15)/116/75	14/15	116	75	5	20	25	6	9
HZ00/18(20)/17/35			35					
HZ00/18(20)/17/55	18/20	17	55	7	26	31	6	9
HZ00/18(20)/17/75			75					
HZ00/18(20)/17/120			120					
HZ00/18(20)/22/35			35					
HZ00/18(20)/22/45			45					
HZ00/18(20)/22/65	18/20	22	65	7	26	31	6	9
HZ00/18(20)/22/85			85					
HZ00/18(20)/22/115			115					
HZ00/18(20)/27/35			35					
HZ00/18(20)/27/45	18/20	27	45	7	26	31	6	9
Possibilità di fornire compatibili ME1000   We can provide ME1000 compatibles								
Compatibile/similare a Z00 - E1000   Compatible/similar to Z03 - E1000								



**MAT\_ 1.7139 ca. 700HV**



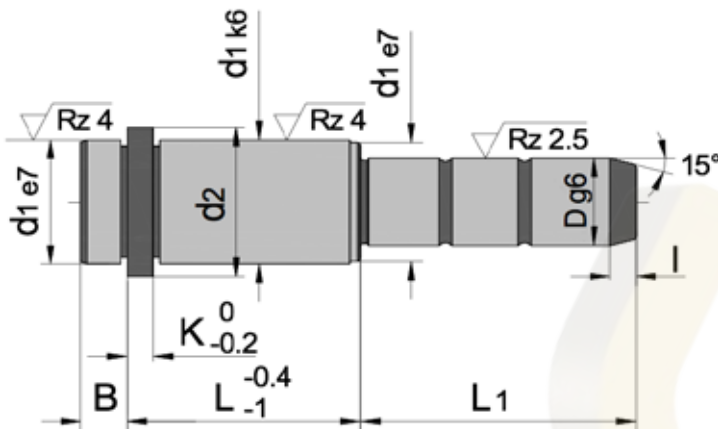
Code per n. pezzi  
**HZ00 / D / L / L1 4 pcs.**

Code	D	L	L1	I	d1	d2	K	B
HZ00/18(20)/27/65			65					
HZ00/18(20)/27/85			85					
HZ00/18(20)/27/105			105					
HZ00/18(20)/27/125	18/20	27	125	7	26	31	6	9
HZ00/18(20)/27/165			165					
HZ00/18(20)/27/225			225					
HZ00/18(20)/27/245			245					
HZ00/18(20)/36/35			35					
HZ00/18(20)/36/55			55					
HZ00/18(20)/36/75			75					
HZ00/18(20)/36/95			95					
HZ00/18(20)/36/115	18/20	36	115	7	26	31	6	9
HZ00/18(20)/36/135			135					
HZ00/18(20)/36/165			165					
HZ00/18(20)/36/225			225					
HZ00/18(20)/36/255			255					
HZ00/18(20)/46/35			35					
HZ00/18(20)/46/45			45					
HZ00/18(20)/46/65			65					
HZ00/18(20)/46/85			85					
HZ00/18(20)/46/105	18/20	46	105	7	26	31	6	9
HZ00/18(20)/46/115			115					
HZ00/18(20)/46/135			135					
HZ00/18(20)/46/165			165					
HZ00/18(20)/46/245			245					
HZ00/18(20)/56/35	18/20	56	35	7	26	31	6	9

Possibilità di fornire compatibili ME1000 | We can provide ME1000 compatibles  
Compatibile/similare a Z00 - E1000 | Compatible/similar to Z03 - E1000

Code	D	L	L1	I	d1	d2	K	B
HZ00/18(20)/56/55			55					
HZ00/18(20)/56/75	18/20	56	75	7	26	31	6	9
HZ00/18(20)/56/95			95					
HZ00/18(20)/56/155			155					
HZ00/18(20)/66/35			35					
HZ00/18(20)/66/55			55					
HZ00/18(20)/66/75	18/20	66	75	7	26	31	6	9
HZ00/18(20)/66/95			95					
HZ00/18(20)/66/145			145					
HZ00/18(20)/76/55			55					
HZ00/18(20)/76/75	18/20	76	75	7	26	31	6	9
HZ00/18(20)/76/95			95					
HZ00/18(20)/76/135			135					
HZ00/18(20)/86/55			55					
HZ00/18(20)/86/75	18/20	86	75	7	26	31	6	9
HZ00/18(20)/86/95			95					
HZ00/18(20)/86/125			125					
HZ00/18(20)/96/55	18/20	96	55	7	26	31	6	9
HZ00/18(20)/96/95			95					
HZ00/18(20)/116/75	18/20	116	75	7	26	31	6	9
HZ00/18(20)/116/115			115					
HZ00/18(20)/136/135	18/20	136	135	7	26	31	6	9
HZ00/22(24)/17/35			35					
HZ00/22(24)/17/55	22/24	17	55	7	30	35	6	9
HZ00/22(24)/17/75			75					
HZ00/22(24)/22/35	22/24	22	35	7	30	35	6	9

Possibilità di fornire compatibili ME1000 | We can provide ME1000 compatibles  
Compatibile/similare a Z00 - E1000 | Compatible/similar to Z03 - E1000



**MAT\_1.7139 ca. 700HV**



Code per n. pezzi

**HZ00 / D / L / L1 4 pcs.**

Code	D	L	L1	I	d1	d2	K	B
HZ00/22(24)/22/55			55					
HZ00/22(24)/22/75	22/24	22	75	7	30	35	6	9
HZ00/22(24)/22/105			105					
HZ00/22(24)/22/130			130					
HZ00/22(24)/27/35			35					
HZ00/22(24)/27/45			45					
HZ00/22(24)/27/55			55					
HZ00/22(24)/27/65			65					
HZ00/22(24)/27/75			75					
HZ00/22(24)/27/85			85					
HZ00/22(24)/27/95			95					
HZ00/22(24)/27/105	22/24	27	105	7	30	35	6	9
HZ00/22(24)/27/115			115					
HZ00/22(24)/27/125			125					
HZ00/22(24)/27/155			155					
HZ00/22(24)/27/165			165					
HZ00/22(24)/27/205			205					
HZ00/22(24)/27/245			245					
HZ00/22(24)/27/285			285					
HZ00/22(24)/36/35			35					
HZ00/22(24)/36/55			55					
HZ00/22(24)/36/75			75					
HZ00/22(24)/36/95	22/24	36	95	7	30	35	6	9
HZ00/22(24)/36/115			115					
HZ00/22(24)/36/135			135					
HZ00/22(24)/36/155			155					

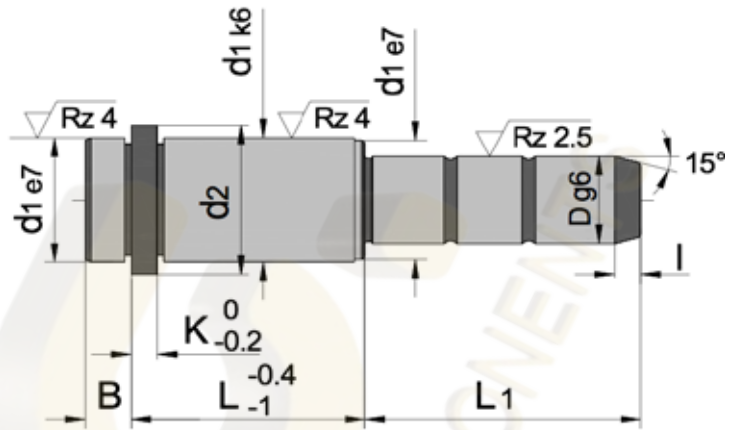
Possibilità di fornire compatibili ME1000 | We can provide ME1000 compatibles

Compatibile/similare a Z00 - E1000 | Compatible/similar to Z03 - E1000

Code	D	L	L1	I	d1	d2	K	B
HZ00/22(24)/36/165			165					
HZ00/22(24)/36/205	22/24	36	205	7	30	35	6	9
HZ00/22(24)/36/245			245					
HZ00/22(24)/36/285			285					
HZ00/22(24)/46/35			35					
HZ00/22(24)/46/45			45					
HZ00/22(24)/46/65			65					
HZ00/22(24)/46/85			85					
HZ00/22(24)/46/105	22/24	46	105	7	30	35	6	9
HZ00/22(24)/46/125			125					
HZ00/22(24)/46/155			155					
HZ00/22(24)/46/165			165					
HZ00/22(24)/46/205			205					
HZ00/22(24)/56/35			35					
HZ00/22(24)/56/55			55					
HZ00/22(24)/56/75			75					
HZ00/22(24)/56/95	22/24	56	95	7	30	35	6	9
HZ00/22(24)/56/115			115					
HZ00/22(24)/56/165			165					
HZ00/22(24)/56/205			205					
HZ00/22(24)/66/35			35					
HZ00/22(24)/66/55			55					
HZ00/22(24)/66/75	22/24	66	75	7	30	35	6	9
HZ00/22(24)/66/95			95					
HZ00/22(24)/66/155			155					
HZ00/22(24)/76/55	22/24	76	55	7	30	35	6	9

Possibilità di fornire compatibili ME1000 | We can provide ME1000 compatibles

Compatibile/similare a Z00 - E1000 | Compatible/similar to Z03 - E1000



**MAT\_ 1.7139 ca. 700HV**



Code per n. pezzi  
**HZ00 / D / L / L1 4 pcs.**

Code	D	L	L1	I	d1	d2	K	B
HZ00/22(24)/76/75			75					
HZ00/22(24)/76/95			95					
HZ00/22(24)/76/115	22/24	76	115	7	30	35	6	9
HZ00/22(24)/76/135			135					
HZ00/22(24)/76/145			145					
HZ00/22(24)/76/155			155					
HZ00/22(24)/86/55			55					
HZ00/22(24)/86/75			75					
HZ00/22(24)/86/95	22/24	86	95	7	30	35	6	9
HZ00/22(24)/86/135			135					
HZ00/22(24)/86/155			155					
HZ00/22(24)/86/195			195					
HZ00/22(24)/96/55			55					
HZ00/22(24)/96/75			75					
HZ00/22(24)/96/95	22/24	96	95	7	30	35	6	9
HZ00/22(24)/96/125			125					
HZ00/22(24)/116/75			75					
HZ00/22(24)/116/115	22/24	116	115	7	30	35	6	9
HZ00/22(24)/116/135			135					
HZ00/22(24)/116/155			155					
HZ00/22(24)/136/95	22/24	136	95	7	30	35	6	9
HZ00/22(24)/136/135			135					
HZ00/22(24)/156/155	22/24	156	155	7	30	35	6	9
HZ00/30(32)/27/45			45					
HZ00/30(32)/27/65	30/32	27	65	7	42	47	6	9
HZ00/30(32)/27/105			105					

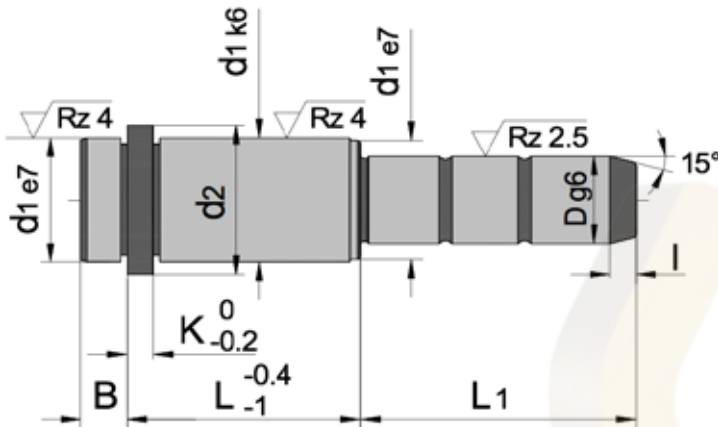
Possibilità di fornire compatibili ME1000 | We can provide ME1000 compatibles

Compatibile/similare a Z00 - E1000 | Compatible/similar to Z03 - E1000

Code	D	L	L1	I	d1	d2	K	B
HZ00/30(32)/27/165			165					
HZ00/30(32)/27/185	30/32	27	185	7	42	47	6	9
HZ00/30(32)/27/245			245					
HZ00/30(32)/27/285			285					
HZ00/30(32)/36/55			55					
HZ00/30(32)/36/75			75					
HZ00/30(32)/36/95			95					
HZ00/30(32)/36/115	30/32	36	115	7	42	47	6	9
HZ00/30(32)/36/155			155					
HZ00/30(32)/36/245			245					
HZ00/30(32)/36/285			285					
HZ00/30(32)/46/45			45					
HZ00/30(32)/46/65			65					
HZ00/30(32)/46/75			75					
HZ00/30(32)/46/85			85					
HZ00/30(32)/46/95	30/32	46	95	7	42	47	6	9
HZ00/30(32)/46/105			105					
HZ00/30(32)/46/125			125					
HZ00/30(32)/46/165			165					
HZ00/30(32)/46/245			245					
HZ00/30(32)/46/285			285					
HZ00/30(32)/56/55			55					
HZ00/30(32)/56/75			75					
HZ00/30(32)/56/95	30/32	56	95	7	42	47	6	9
HZ00/30(32)/56/115			115					
HZ00/30(32)/56/135			135					

Possibilità di fornire compatibili ME1000 | We can provide ME1000 compatibles

Compatibile/similare a Z00 - E1000 | Compatible/similar to Z03 - E1000



**MAT\_ 1.7139 ca. 700HV**



Code per n. pezzi

**HZ00 / D / L / L1 4 pcs.**

Code	D	L	L1	I	d1	d2	K	B
HZ00/30(32)/56/155			155					
HZ00/30(32)/56/175	30/32	56	175	7	42	47	6	9
HZ00/30(32)/56/245			245					
HZ00/30(32)/56/295			295					
HZ00/30(32)/66/55			55					
HZ00/30(32)/66/75			75					
HZ00/30(32)/66/95			95					
HZ00/30(32)/66/115			115					
HZ00/30(32)/66/135	30/32	66	135	7	42	47	6	9
HZ00/30(32)/66/155			155					
HZ00/30(32)/66/175			175					
HZ00/30(32)/66/245			245					
HZ00/30(32)/66/275			275					
HZ00/30(32)/66/295			295					
HZ00/30(32)/76/55			55					
HZ00/30(32)/76/75			75					
HZ00/30(32)/76/95			95					
HZ00/30(32)/76/115	30/32	76	115	7	42	47	6	9
HZ00/30(32)/76/155			155					
HZ00/30(32)/76/225			225					
HZ00/30(32)/76/235			235					
HZ00/30(32)/86/55			55					
HZ00/30(32)/86/75			75					
HZ00/30(32)/86/95	30/32	86	95	7	42	47	6	9
HZ00/30(32)/86/115			115					
HZ00/30(32)/86/155			155					

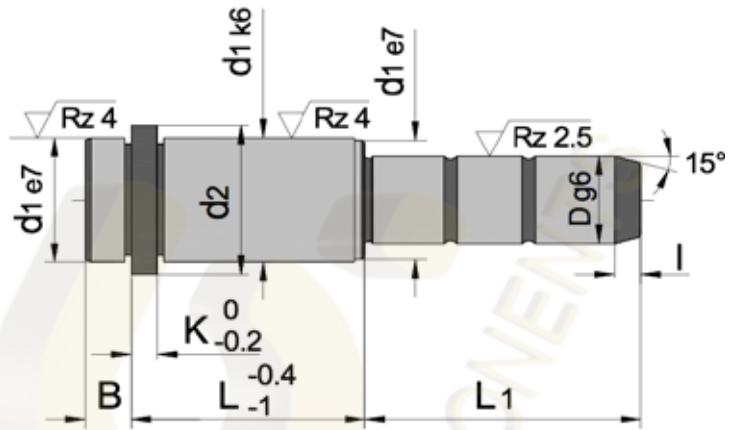
Possibilità di fornire compatibili ME1000 | We can provide ME1000 compatibles

Compatibile/similare a Z00 - E1000 | Compatible/similar to Z03 - E1000

Code	D	L	L1	I	d1	d2	K	B
HZ00/30(32)/86/225	30/32	86	225	7	42	47	6	9
HZ00/30(32)/96/55			55					
HZ00/30(32)/96/75			75					
HZ00/30(32)/96/95	30/32	96	95	7	42	47	6	9
HZ00/30(32)/96/115			115					
HZ00/30(32)/96/155			155					
HZ00/30(32)/96/205			205					
HZ00/30(32)/116/75			75					
HZ00/30(32)/116/115	30/32	116	115	7	42	47	6	9
HZ00/30(32)/116/155			155					
HZ00/30(32)/136/95			95					
HZ00/30(32)/136/115	30/32	136	115	7	42	47	6	9
HZ00/30(32)/136/155			155					
HZ00/30(32)/156/115	30/32	156	115	7	42	47	6	9
HZ00/30(32)/156/155			155					
HZ00/30(32)/176/115			115					
HZ00/30(32)/176/135			135					
HZ00/30(32)/176/155	30/32	176	155	7	42	47	6	9
HZ00/30(32)/176/175			175					
HZ00/30(32)/176/195			195					
HZ00/30(32)/196/155	30/32	196	155	7	42	47	6	9
HZ00/30(32)/196/195			195					
HZ00/40(42)/36/75	40/42	36	75	10	54	59	10	12
HZ00/40(42)/36/115			115					
HZ00/40(42)/46/95			95					
HZ00/40(42)/46/165	40/42	46	165	10	54	59	10	12

Possibilità di fornire compatibili ME1000 | We can provide ME1000 compatibles

Compatibile/similare a Z00 - E1000 | Compatible/similar to Z03 - E1000



**MAT\_1.7139 ca. 700HV**



Code per n. pezzi  
**HZ00 / D / L / L1 4 pcs.**

Code	D	L	L1	I	d1	d2	K	B
HZ00/40(42)/56/75			75					
HZ00/40(42)/56/95			95					
HZ00/40(42)/56/115	40/42	56	115	10	54	59	10	12
HZ00/40(42)/56/155			155					
HZ00/40(42)/56/195			195					
HZ00/40(42)/66/75	40/42	66	75	10	54	59	10	12
HZ00/40(42)/66/135			135					
HZ00/40(42)/76/75			75					
HZ00/40(42)/76/95			95					
HZ00/40(42)/76/115	40/42	76	115	10	54	59	10	12
HZ00/40(42)/76/155			155					
HZ00/40(42)/76/175			175					
HZ00/40(42)/86/75	40/42	86	75	10	54	59	10	12
HZ00/40(42)/86/135			135					
HZ00/40(42)/96/75			75					
HZ00/40(42)/96/95			95					
HZ00/40(42)/96/115	40/42	96	115	10	54	59	10	12
HZ00/40(42)/96/155			155					
HZ00/40(42)/96/195			195					
HZ00/40(42)/116/95			95					
HZ00/40(42)/116/115			115					
HZ00/40(42)/116/135	40/42	116	135	10	54	59	10	12
HZ00/40(42)/116/155			155					
HZ00/40(42)/116/195			195					
HZ00/40(42)/136/95	40/42	136	95	10	54	59	10	12
HZ00/40(42)/136/115			115					

Possibilità di fornire compatibili ME1000 | We can provide ME1000 compatibles

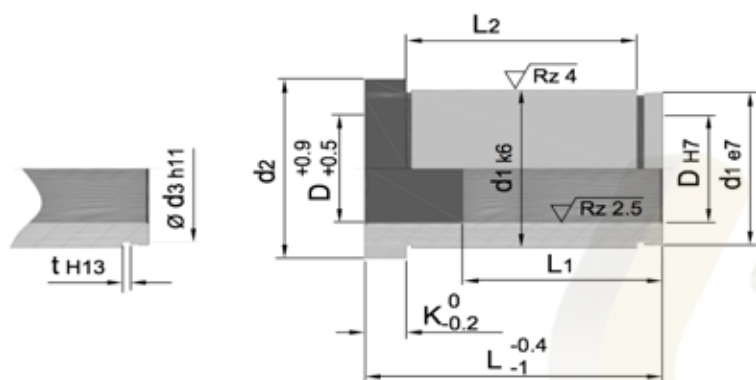
Compatibile/similare a Z00 - E1000 | Compatible/similar to Z03 - E1000

Code	D	L	L1	I	d1	d2	K	B
HZ00/40(42)136/135			135					
HZ00/40(42)136/155	40/42	136	155	10	54	59	10	12
HZ00/40(42)136/195			195					
HZ00/40(42)136/215			215					
HZ00/40(42)156/115			115					
HZ00/40(42)156/155	40/42	156	155	10	54	59	10	12
HZ00/40(42)156/195			195					
HZ00/40(42)156/215			215					
HZ00/40(42)176/135			135					
HZ00/40(42)176/155	40/42	176	155	10	54	59	10	12
HZ00/40(42)176/175			175					
HZ00/40(42)176/195			195					
HZ00/40(42)196/115			115					
HZ00/40(42)196/155	40/42	196	155	10	54	59	10	12
HZ00/40(42)196/195			195					
HZ00/40(42)196/235			235					
HZ00/40(42)246/165	40/42	246	165	10	54	59	10	12
HZ00/40(42)246/245			245					

Possibilità di fornire compatibili ME1000 | We can provide ME1000 compatibles

Compatibile/similare a Z00 - E1000 | Compatible/similar to Z03 - E1000





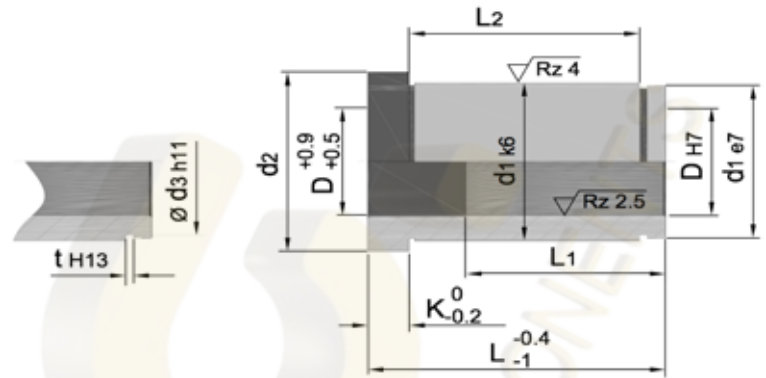
**MAT\_1.7139 ca. 700HV**



Code per n. pezzi  
**HZ11 / D / L 4 pcs.**

Code	D	L	L1	L2	d1	d2	d3	t	K
HZ11/9(10)/9		9	-						
HZ11/9(10)/12		12		5,5					
HZ11/9(10)/17		17	-	10,5					
HZ11/9(10)/22		22		15,5					
HZ11/9(10)/27	9/10	27		20,5	14	16	13,4	1,1	3
HZ11/9(10)/36		36		29,5					
HZ11/9(10)/46		46	27	39,5					
HZ11/9(10)/56		56		49,5					
HZ11/9(10)/66		66		59,5					
HZ11/12/17		17		7					
HZ11/12/22		22		12					
HZ11/12/27	12	27		17	18	23	17	1,3	6
HZ11/12/36		36		26					
HZ11/12/46		46	36	36					
HZ11/12/56		56		46					
HZ11/14(15)/12		12		-					
HZ11/14(15)/17		17		7					
HZ11/14(15)/22		22		12					
HZ11/14(15)/27		27		17					
HZ11/14(15)/36		36		26					
HZ11/14(15)/46	14/15	46		36	20	25	19	1,3	6
HZ11/14(15)/56		56		46					
HZ11/14(15)/66		66		56					
HZ11/14(15)/76		76	46	66					
HZ11/14(15)/86		86		76					
HZ11/14(15)/96		96		86					
Possibilità di fornire compatibili ME1110   We can provide ME1110 compatibles									
Compatibile/similare a Z11 - E1110   Compatible/similar to Z11 - E1110									

Code	D	L	L1	L2	d1	d2	d3	t	K
HZ11/16/17		17		7					
HZ11/16/22		22		12					
HZ11/16/27		27		17					
HZ11/16/36	16	36		26	22	27	21	1,3	6
HZ11/16/46		46		36					
HZ11/16/56		56		46					
HZ11/16/76		76	56	66					
HZ11/18(20)/17		17		7					
HZ11/18(20)/22		22		12					
HZ11/18(20)/27		27		17					
HZ11/18(20)/36		36		26					
HZ11/18(20)/46		46		36					
HZ11/18(20)/56	18/20	56		46	26	31	24,9	1,3	6
HZ11/18(20)/66		66		56					
HZ11/18(20)/76		76		66					
HZ11/18(20)/86		86	56	76					
HZ11/18(20)/96		96		86					
HZ11/18(20)/116		116		106					
HZ11/22(24)/17		17		-					
HZ11/22(24)/22		22		11					
HZ11/22(24)/27		27		16					
HZ11/22(24)/36	22/24	36		25	30	35	28,6	1,6	6
HZ11/22(24)/46		46		35					
HZ11/22(24)/56		56		45					
HZ11/22(24)/66		66		55					
HZ11/22(24)/76		76		65					
Possibilità di fornire compatibili ME1110   We can provide ME1110 compatibles									
Compatibile/similare a Z11 - E1110   Compatible/similar to Z11 - E1110									



**MAT\_1.7139 ca. 700HV**



Code per n. pezzi  
**HZ11 / D / L 4 pcs.**

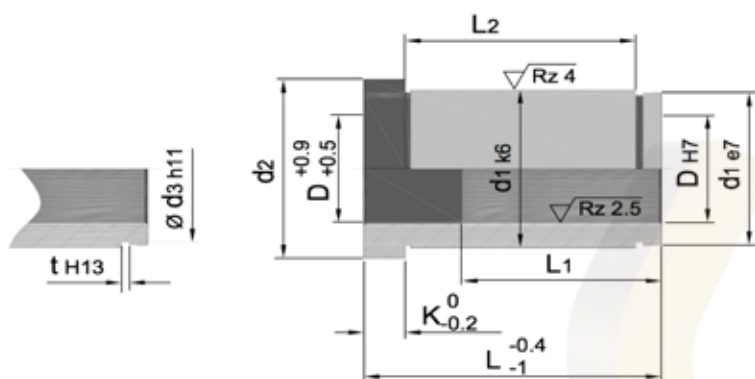
Code	D	L	L1	L2	d1	d2	d3	t	K	Code	D	L	L1	L2	d1	d2	d3	t	K	
HZ11/22(24)/86		86		75						HZ11/40(42)/86		86		68						
HZ11/22(24)/96		96		85						HZ11/40(42)/96		96	-	78						
HZ11/22(24)/116	22/24	116	76	105	30	35	28,6	1,6	6	HZ11/40(42)/116		116		98						
HZ11/22(24)/136		136		125						HZ11/40(42)/136		136		118						
HZ11/22(24)/156		156		145						HZ11/40(42)/156	40/42	156		138	54	59	51	2,15	10	
HZ11/30(32)/22		22		-						HZ11/40(42)/176		176		158						
HZ11/30(32)/27		27		14						HZ11/40(42)/196		196	116	178						
HZ11/30(32)/36		36		23						HZ11/40(42)/216		216		198						
HZ11/30(32)/46		46		33						HZ11/40(42)/246		246		228						
HZ11/30(32)/56		56	-	43						HZ11/50(52)/56		56		38						
HZ11/30(32)/66		66		53						HZ11/50(52)/76		76		58						
HZ11/30(32)/76		76		63						HZ11/50(52)/96		96		78						
HZ11/30(32)/86		86		73						HZ11/50(52)/116		116		98						
HZ11/30(32)/96	30/32	96		83	42	47	39,5	1,85	6	HZ11/50(52)/136	50/52	136		118	66	71	62	2,65	10	
HZ11/30(32)/116		116		103						HZ11/50(52)/156		156		138						
HZ11/30(32)/136		136		123						HZ11/50(52)/176		176	116	158						
HZ11/30(32)/156		156		143						HZ11/50(52)/196		196		178						
HZ11/30(32)/176		176	96	163						HZ11/60(62)/56		56		28						
HZ11/30(32)/186		186		173						HZ11/60(62)/76		76		48						
HZ11/30(32)/196		196		183						HZ11/60(62)/96		96	-	68						
HZ11/30(32)/236		236		223						HZ11/60(62)/116		116		88						
HZ11/40(42)/36		36		18						HZ11/60(62)/136	60/62	136		108	80	86	76,5	-	20	
HZ11/40(42)/46		46		28						HZ11/60(62)/156		156		128						
HZ11/40(42)/56	40/42	56	-	38	54	59	51	2,15	10	HZ11/60(62)/176		176		148						
HZ11/40(42)/66		66		48						HZ11/60(62)/196		196	136	168						
HZ11/40(42)/76		76		58						HZ11/60(62)/216		216		188						

Possibilità di fornire compatibili ME1110 | We can provide ME1110 compatibles

Possibilità di fornire compatibili ME1110 | We can provide ME1110 compatibles

Compatibile/similare a Z11 - E1110 | Compatible/similar to Z11 - E1110

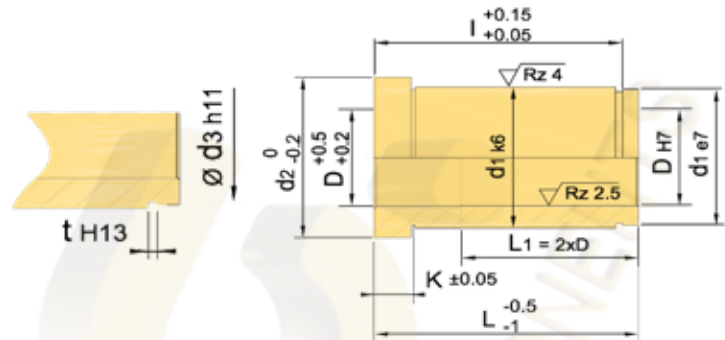
Compatibile/similare a Z11 - E1110 | Compatible/similar to Z11 - E1110



**MAT\_ 1.7139 ca. 700HV**

 Code per n. pezzi  
**HZ11 / D / L 4 pcs.**

Code	D	L	L1	L2	d1	d2	d3	t	K
HZ11/60(62)/246	60/62	246	136	218	80	86	76,5	-	20
HZ11/80/96		96							
HZ11/80/116		116							
HZ11/80/136		136							
HZ11/80/156		156							
HZ11/80/176	80	176		-	104	112	-	-	20
HZ11/80/196		196	156						
HZ11/80/216		216							
HZ11/80/246		246							
Possibilità di fornire compatibili ME1110   We can provide ME1110 compatibles									
Compatibile/similare a Z11 - E1110   Compatible/similar to Z11 - E1110									



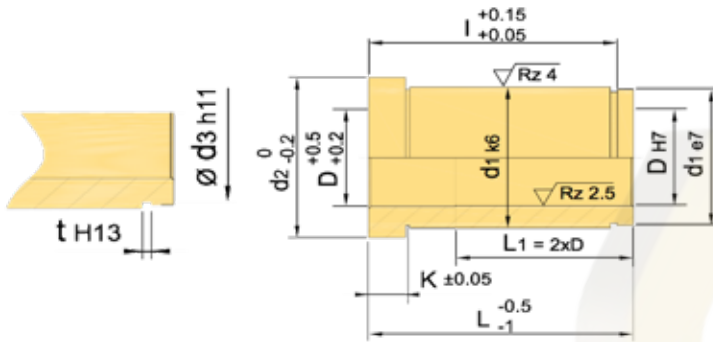
**MAT BRONZO / BRONZE**



Code per n. pezzi  
**HZ11B / D / L 4 pcs.**

Code	D	L	l	d1	d2	d3	t	K
HZ11B/9(10)/12		12	9,6					
HZ11B/9(10)/17		17	14,6					
HZ11B/9(10)/22		22	19,6					
HZ11B/9(10)/27	9/10	27	24,6	14	16	13,4	1,10	3
HZ11B/9(10)/36		36	33,6					
HZ11B/9(10)/46		46	43,6					
HZ11B/9(10)/56		56	53,6					
HZ11B/12/17		17	14,3					
HZ11B/12/22		22	19,3					
HZ11B/12/27	12	27	24,3	18	23	17,0	1,30	6
HZ11B/12/36		36	33,3					
HZ11B/12/46		46	43,3					
HZ11B/12/56		56	53,3					
HZ11B/14(15)/17		17	14,3					
HZ11B/14(15)/22		22	19,3					
HZ11B/14(15)/27	14/15	27	24,3	20	25	19,0	1,30	6
HZ11B/14(15)/36		36	33,3					
HZ11B/14(15)/46		46	43,3					
HZ11B/14(15)/56		56	53,3					
HZ11B/16/22		22	19,3					
HZ11B/16/27		27	24,3					
HZ11B/16/36	16	36	33,3	22	27	21,0	1,30	6
HZ11B/16/46		46	43,3					
HZ11B/16/56		56	53,3					
HZ11B/18(20)/17	18/20	17	14,3	26	31	24,9	1,30	6
HZ11B/18(20)/22		22	19,3					

Code	D	L	l	d1	d2	d3	t	K
HZ11B/18(20)/27		27	24,3					
HZ11B/18(20)/36		36	33,3					
HZ11B/18(20)/46	18/20	46	43,3	26	31	24,9	1,30	6
HZ11B/18(20)/56		56	53,3					
HZ11B/18(20)/66		66	63,3					
HZ11B/18(20)/76		76	73,3					
HZ11B/22(24)/22		22	18,6					
HZ11B/22(24)/27		27	23,6					
HZ11B/22(24)/36		36	32,6					
HZ11B/22(24)/46		46	42,6					
HZ11B/22(24)/56	22/24	56	52,6	30	35	28,6	1,60	6
HZ11B/22(24)/66		66	62,6					
HZ11B/22(24)/76		76	72,6					
HZ11B/22(24)/86		86	82,6					
HZ11B/22(24)/96		96	92,6					
HZ11B/30(32)/27		27	21,9					
HZ11B/30(32)/36		36	30,9					
HZ11B/30(32)/46		46	40,9					
HZ11B/30(32)/56		56	50,9					
HZ11B/30(32)/66	30/32	66	60,9	42	47	39,5	1,85	6
HZ11B/30(32)/76		76	70,9					
HZ11B/30(32)/86		86	80,9					
HZ11B/30(32)/96		96	90,9					
HZ11B/30(32)/116		116	110,9					
HZ11B/40(42)/46	40/42	46	40,2	54	60	51,0	2,15	10
HZ11B/40(42)/56		56	50,2					

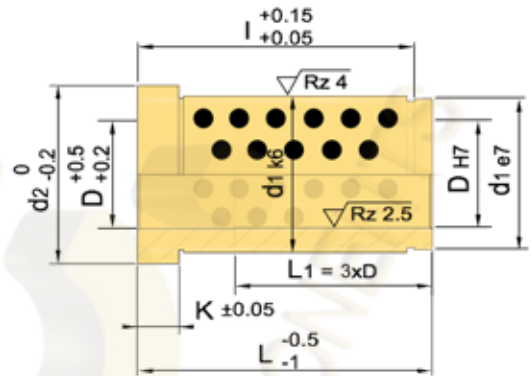
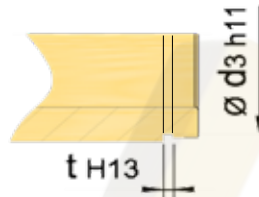


**MAT BRONZO / BRONZE**



Code per n. pezzi  
HZ11B / D / L 4 pcs.

Code	D	L	l	d1	d2	d3	t	K
HZ11B/40(42)/66	40/42	66	60,2	54	60	51,0	2,15	10
HZ11B/40(42)/76		76	70,2					
HZ11B/40(42)/86		86	80,2					
HZ11B/40(42)/96		96	90,2					
HZ11B/40(42)/116		116	110,2					
HZ11B/40(42)/136		136	130,2					
HZ11B/50(52)/56	50/52*	56	48,2	66	71	62	2,65	10
HZ11B/50(52)/66		66	58,2					
HZ11B/50(52)/76		76	68,2					
HZ11B/50(52)/86		86	78,2					
HZ11B/50(52)/96		96	88,2					
HZ11B/50(52)/116		116	108,2					
HZ11B/50(52)/136		136	128,2					
HZ11B/50(52)/156		156	148,2					
HZ11B/50(52)/176		176	168,2					
HZ11B/50(52)/196		196	188,2					
HZ11B/50(52)/216		216	208,2					
HZ11B/50(52)/236	236	228,2						
HZ11B/50(52)/256	256	248,2						
HZ11B/60/96	60*	96	88,2	80	86	76,5	2,65	20
HZ11B/60/116		116	108,2					
HZ11B/60/136		136	128,2					
HZ11B/60/156		156	148,2					
HZ11B/60/176		176	168,2					
HZ11B/60/196		196	188,2					
HZ11B/60/216		216	218,2					
* Dimensioni fornibili a richiesta - Demandable Measures								
* A richiesta si esegue ragnatura - Groove on demand								



**MAT LEGA SPECIALE + GRAFITE**

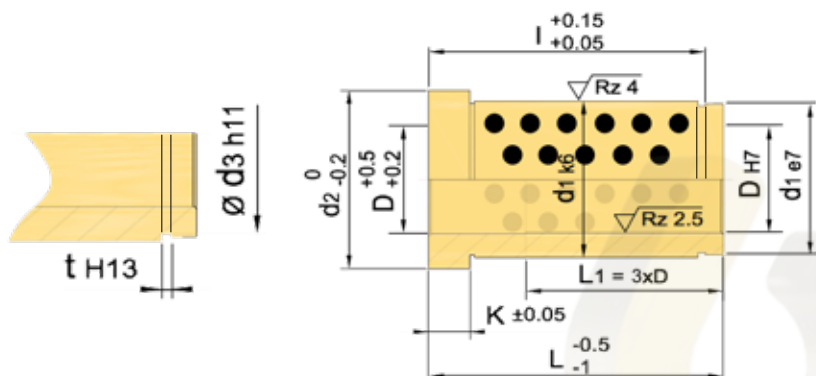
**MAT SPECIAL ALLOY + GRAPHITE**



Code per n. pezzi

**HZ11BG / D / L 4 pcs.**

Code	D	L	I	d1	d2	d3	t	K	Code	D	L	I	d1	d2	d3	t	K
HZ11BG/9(10)/12		12	9,6						HZ11BG/18(20)/27		27	24,3					
HZ11BG/9(10)/17		17	14,6						HZ11BG/18(20)/36		36	33,3					
HZ11BG/9(10)/22		22	19,6						HZ11BG/18(20)/46	18/20	46	43,3	26	31	24,9	1,30	6
HZ11BG/9(10)/27	9/10	27	24,6	14	16	13,4	1,10	3	HZ11BG/18(20)/56		56	53,3					
HZ11BG/9(10)/36		36	33,6						HZ11BG/18(20)/66		66	63,3					
HZ11BG/9(10)/46		46	43,6						HZ11BG/18(20)/76		76	73,3					
HZ11BG/9(10)/56		56	53,6						HZ11BG/22(24)/22		22	18,6					
HZ11BG/12/17		17	14,3						HZ11BG/22(24)/27		27	23,6					
HZ11BG/12/22		22	19,3						HZ11BG/22(24)/36		36	32,6					
HZ11BG/12/27		27	24,3	18	23	17,0	1,30	6	HZ11BG/22(24)/46		46	42,6					
HZ11BG/12/36	12	36	33,3						HZ11BG/22(24)/56	22/24	56	52,6	30	35	28,6	1,60	6
HZ11BG/12/46		46	43,3						HZ11BG/22(24)/66		66	62,6					
HZ11BG/12/56		56	53,3						HZ11BG/22(24)/76		76	72,6					
HZ11BG/14(15)/17		17	14,3						HZ11BG/22(24)/86		86	82,6					
HZ11BG/14(15)/22		22	19,3						HZ11BG/22(24)/96		96	92,6					
HZ11BG/14(15)/27	14/15	27	24,3	20	25	19,0	1,30	6	HZ11BG/30(32)/27		27	21,9					
HZ11BG/14(15)/36		36	33,3						HZ11BG/30(32)/36		36	30,9					
HZ11BG/14(15)/46		46	43,3						HZ11BG/30(32)/46		46	40,9					
HZ11BG/14(15)/56		56	53,3						HZ11BG/30(32)/56		56	50,9					
HZ11BG/16/22		22	19,3						HZ11BG/30(32)/66	30/32	66	60,9	42	47	39,5	1,85	6
HZ11BG/16/27		27	24,3						HZ11BG/30(32)/76		76	70,9					
HZ11BG/16/36	16	36	33,3	22	27	21,0	1,30	6	HZ11BG/30(32)/86		86	80,9					
HZ11BG/16/46		46	43,3						HZ11BG/30(32)/96		96	90,9					
HZ11BG/16/56		56	53,3						HZ11BG/30(32)/116		116	110,9					
HZ11BG/18(20)/17	18/20	17	14,3	26	31	24,9	1,30	6	HZ11BG/40(42)/46	40/42	46	40,2	54	60	51,0	2,15	10
HZ11BG/18(20)/22		22	19,3						HZ11BG/40(42)/56		56	50,2					
Compatibile/similare a Z1100W - E1115 - SOST - W3.15 - 2087.72 - BM5									Compatibile/similare a Z1100W - E1115 - SOST - W3.15 - 2087.72 - BM5								
Compatible/similar to Z1100W - E1115 - SOST - W3.15 - 2087.72 - BM5									Compatible/similar to Z1100W - E1115 - SOST - W3.15 - 2087.72 - BM5								



**MAT** LEGA SPECIALE + GRAFITE

**MAT** SPECIAL ALLOY + GRAPHITE



Code per n. pezzi

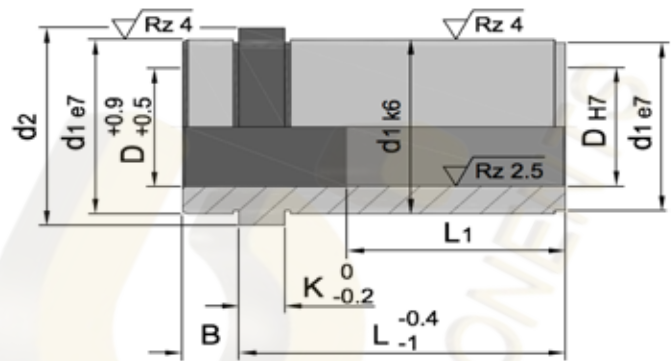
**HZ11BG / D / L 4 pcs.**

Code	D	L	I	d1	d2	d3	t	K
HZ11BG/40(42)/66	40/42	66	60,2	54	60	51,0	2,15	10
HZ11BG/40(42)/76		76	70,2					
HZ11BG/40(42)/86		86	80,2					
HZ11BG/40(42)/96		96	90,2					
HZ11BG/40(42)/116		116	110,2					
HZ11BG/40(42)/136		136	130,2					
HZ11BG/50(52)/56	50/52	56	48,2	66	71	62	2,65	10
HZ11BG/50(52)/66		66	58,2					
HZ11BG/50(52)/76		76	68,2					
HZ11BG/50(52)/86		86	78,2					
HZ11BG/50(52)/96		96	88,2					
HZ11BG/50(52)/116		116	108,2					
HZ11BG/50(52)/136		136	128,2					
HZ11BG/50(52)/156		156	148,2					
HZ11BG/50(52)/176		176	168,2					
HZ11BG/50(52)/196		196	188,2					
HZ11BG/50(52)/216	216	208,2						
HZ11BG/50(52)/236	236	228,2						
HZ11BG/50(52)/256	256	248,2						
HZ11BG/60/96	60	96	-	80	86	-	-	20
HZ11BG/60/116		116						
HZ11BG/60/136		136						
HZ11BG/60/156		156						
HZ11BG/60/196		196						

**ALTRE DIMENSIONI A RICHIESTA / MORE MEASURES ON DEMAND**

Compatibile/similare a Z1100W - E1115 - SOST - W3.15 - 2087.72 - BM5

Compatible/similar to Z1100W - E1115 - SOST - W3.15 - 2087.72 - BM5



**MAT** 1.7139 ca. 700HV



Code per n. pezzi  
**HZ10 / D / L** 4 pcs.

Code	D	L	L1	d1	d2	K	B
HZ10/9(10)/12		12					
HZ10/9(10)/17		17					
HZ10/9(10)/22		22	-				
HZ10/9(10)/27	9/10	27		14	16	3	3
HZ10/9(10)/36		36					
HZ10/9(10)/46		46	27				
HZ10/9(10)/56		56					
HZ10/9(10)/66		66					
HZ10/14(15)/17		17					
HZ10/14(15)/22		22					
HZ10/14(15)/27		27	-				
HZ10/14(15)/36		36					
HZ10/14(15)/46		46					
HZ10/14(15)/56	14/15	56		20	25	6	9
HZ10/14(15)/66		66					
HZ10/14(15)/76		76	46				
HZ10/14(15)/86		86					
HZ10/14(15)/96		96					
HZ10/14(15)/116		116					
HZ10/18(20)/17		17					
HZ10/18(20)/22		22					
HZ10/18(20)/27		27					
HZ10/18(20)/36	18/20	36		26	31	6	9
HZ10/18(20)/46		46					
HZ10/18(20)/56		56					
HZ10/18(20)/66		66	56				

Possibilità di fornire compatibili ME1100 | We can provide ME1100 compatibles

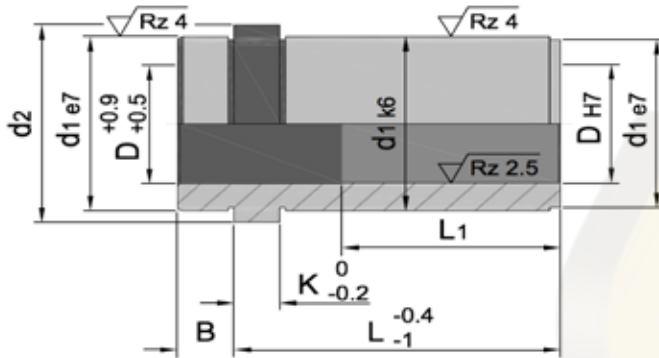
Compatibile/similare a Z10 - E1100 | Compatible/similar to Z10 - E1100

Code	D	L	L1	d1	d2	K	B
HZ10/18(20)/76		76					
HZ10/18(20)/86		86					
HZ10/18(20)/96	18/20	96	56	26	31	6	9
HZ10/18(20)/116		116					
HZ10/18(20)/136		136					
HZ10/22(24)/17		17					
HZ10/22(24)/22		22					
HZ10/22(24)/27		27					
HZ10/22(24)/36		36					
HZ10/22(24)/46		46					
HZ10/22(24)/56		56					
HZ10/22(24)/66	22/24	66		30	35	6	9
HZ10/22(24)/76		76					
HZ10/22(24)/86		86					
HZ10/22(24)/96		96					
HZ10/22(24)/116		116	76				
HZ10/22(24)/136		136					
HZ10/22(24)/156		156					
HZ10/30(32)/22		22					
HZ10/30(32)/27		27					
HZ10/30(32)/36		36					
HZ10/30(32)/46	30/32	46		42	47	6	9
HZ10/30(32)/56		56					
HZ10/30(32)/66		66					
HZ10/30(32)/76		76					
HZ10/30(32)/86		86					

Possibilità di fornire compatibili ME1100 | We can provide ME1100 compatibles

Compatibile/similare a Z10 - E1100 | Compatible/similar to Z10 - E1100





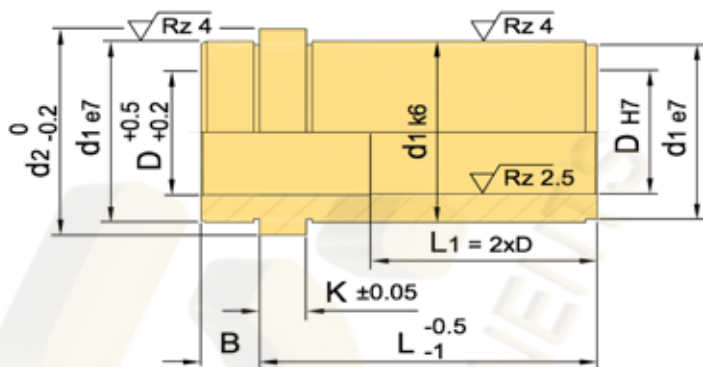
**MAT\_ 1.7139 ca. 700HV**

Code per n. pezzi  
**HZ10 / D / L 4 pcs.**

Code	D	L	L1	d1	d2	K	B
HZ10/30(32)/96	30/32	96	-	42	47	6	9
HZ10/30(32)/116		116					
HZ10/30(32)/136		136					
HZ10/30(32)/156		156	96				
HZ10/30(32)/176		176					
HZ10/30(32)/196		196					
HZ10/40(42)/36	40/42	36	116	54	59	10	12
HZ10/40(42)/46		46					
HZ10/40(42)/56		56					
HZ10/40(42)/66		66					
HZ10/40(42)/76		76					
HZ10/40(42)/86		86					
HZ10/40(42)/96		96					
HZ10/40(42)/116		116					
HZ10/40(42)/136		136					
HZ10/40(42)/156		156					
HZ10/40(42)/176		176					
HZ10/40(42)/196		196					
HZ10/40(42)/216		216					
HZ10/40(42)/246		246					

Possibilità di fornire compatibili ME1100 | We can provide ME1100 compatibles

Compatibile/similare a Z10 - E1100 | Compatible/similar to Z10 - E1100



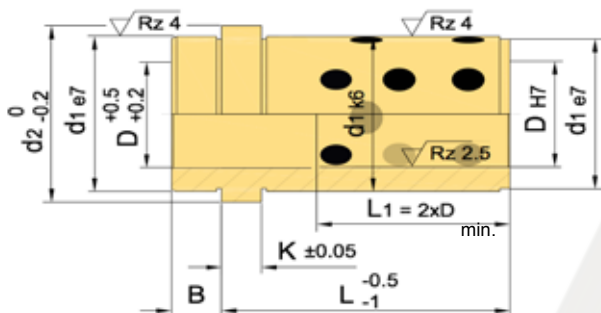
**MAT BRONZO SPECIALE / SPECIAL BRONZE**



Code per n. pezzi  
HZ10B / D / L 4 pcs.

Code	D	L	d1	d2	K	B
HZ10B/9(10)/12		12				
HZ10B/9(10)/17		17				
HZ10B/9(10)/22		22				
HZ10B/9(10)/27	9/10	27	14	16	3	5
HZ10B/9(10)/36		36				
HZ10B/9(10)/46		46				
HZ10B/9(10)/56		56				
HZ10B/14(15)/17		17				
HZ10B/14(15)/22		22				
HZ10B/14(15)/27		27				
HZ10B/14(15)/36	14/15	36	20	25	6	6
HZ10B/14(15)/46		46				
HZ10B/14(15)/56		56				
HZ10B/14(15)/66		66				
HZ10B/14(15)/76		76				
HZ10B/18(20)/17		17				
HZ10B/18(20)/22		22				
HZ10B/18(20)/27		27				
HZ10B/18(20)/36	18/20	36	26	31	6	8
HZ10B/18(20)/46		46				
HZ10B/18(20)/56		56				
HZ10B/18(20)/66		66				
HZ10B/18(20)/76		76				
HZ10B/22(24)/22		22				
HZ10B/22(24)/27	22/24	27	30	35	6	8
HZ10B/22(24)/36		36				
HZ10B/22(24)/46		46				
Altre dimensioni a richiesta						
More measures on demand						

Code	D	L	d1	d2	K	B
HZ10B/22(24)/56		56				
HZ10B/22(24)/66		66				
HZ10B/22(24)/76	22/24	76	30	35	6	8
HZ10B/22(24)/86		86				
HZ10B/22(24)/96		96				
HZ10B/22(24)/116		116				
HZ10B/30(32)/27		27				
HZ10B/30(32)/36		36				
HZ10B/30(32)/46		46				
HZ10B/30(32)/56		56				
HZ10B/30(32)/66	30/32	66	42	47	6	8
HZ10B/30(32)/76		76				
HZ10B/30(32)/86		86				
HZ10B/30(32)/96		96				
HZ10B/30(32)/116		116				
HZ10B/30(32)/136		136				
HZ10B/40(42)/46		46				
HZ10B/40(42)/56		56				
HZ10B/40(42)/66		66				
HZ10B/40(42)/76		76				
HZ10B/40(42)/86	40/42	86	54	60	10	10
HZ10B/40(42)/96		96				
HZ10B/40(42)/116		116				
HZ10B/40(42)/136		136				
HZ10B/40(42)/156		156				
HZ10B/40(42)/196		196				
Altre dimensioni a richiesta						
More measures on demand						



**MAT LEGA SPECIALE+GRAFITE**

**MAT SPECIAL ALLOY + GRAPHITE**



Code per n. pezzi

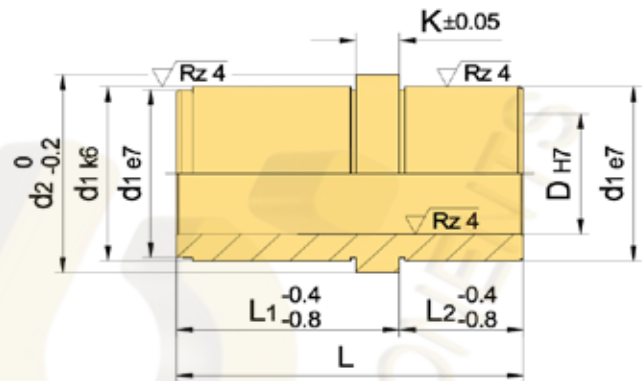
**HZ10BG / D / L 4 pcs.**

Code	D	L	d1	d2	K	B
HZ10BG/9(10)/12		12				
HZ10BG/9(10)/17		17				
HZ10BG/9(10)/22		22				
HZ10BG/9(10)/27	9/10	27	14	16	3	5
HZ10BG/9(10)/36		36				
HZ10BG/9(10)/46		46				
HZ10BG/9(10)/56		56				
HZ10BG/14(15)/17		17				
HZ10BG/14(15)/22		22				
HZ10BG/14(15)/27		27				
HZ10BG/14(15)/36	14/15	36	20	25	6	6
HZ10BG/14(15)/46		46				
HZ10BG/14(15)/56		56				
HZ10BG/14(15)/66		66				
HZ10BG/14(15)/76		76				
HZ10BG/18(20)/17		17				
HZ10BG/18(20)/22		22				
HZ10BG/18(20)/27		27				
HZ10BG/18(20)/36		36				
HZ10BG/18(20)/46	18/20	46	26	31	6	8
HZ10BG/18(20)/56		56				
HZ10BG/18(20)/66		66				
HZ10BG/18(20)/76		76				
HZ10BG/18(20)/86		86				
HZ10BG/22(24)/22		22				
HZ10BG/22(24)/27	22/24	27	30	35	6	8
HZ10BG/22(24)/36		36				
Compatibile/similare a Z1000W - E1105 - W3.11 - SOSG - 2087.70 - BM4						
Compatible/similar to Z1000W - E1105 - W3.11 - SOSG - 2087.70 - BM4						

Code	D	L	d1	d2	K	B
HZ10BG/22(24)/46		46				
HZ10BG/22(24)/56		56				
HZ10BG/22(24)/66		66				
HZ10BG/22(24)/76	22/24	76	30	35	6	8
HZ10BG/22(24)/86		86				
HZ10BG/22(24)/96		96				
HZ10BG/22(24)/116		116				
HZ10BG/30(32)/27		27				
HZ10BG/30(32)/36		36				
HZ10BG/30(32)/46		46				
HZ10BG/30(32)/56		56				
HZ10BG/30(32)/66	30/32	66	42	47	6	8
HZ10BG/30(32)/76		76				
HZ10BG/30(32)/86		86				
HZ10BG/30(32)/96		96				
HZ10BG/30(32)/116		116				
HZ10BG/30(32)/136		136				
HZ10BG/40(42)/46		46				
HZ10BG/40(42)/56		56				
HZ10BG/40(42)/66		66				
HZ10BG/40(42)/76		76				
HZ10BG/40(42)/86	40/42	86	54	60	10	10
HZ10BG/40(42)/96		96				
HZ10BG/40(42)/116		116				
HZ10BG/40(42)/136		136				
HZ10BG/40(42)/156		156				
HZ10BG/40(42)/196		196				
Compatibile/similare a Z1000W - E1105 - W3.11 - SOSG - 2087.70 - BM4						
Compatible/similar to Z1000W - E1105 - W3.11 - SOSG - 2087.70 - BM4						

# HZ13B

BUSSOLE DI GUIDA IN BRONZO  
BRONZE GUIDE BUSHES



**MAT BRONZO SPECIALE / SPECIAL BRONZE**



Code per n. pezzi

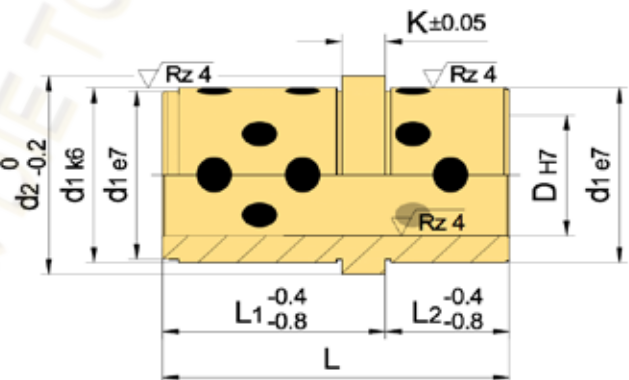
HZ13B / D / L1 / L 4 pcs.

Code	D	L	L1	L2	d1	d2	K
HZ13B/14(15)/17/26	14/15	26	17	8,5	20	25	6
HZ13B/18(20)/22/39	18/20	39	22	16,5	26	31	6
HZ13B/22(24)/27/49	22/24	49	27	21,5	30	35	6
HZ13B/30(32)/36/63	30/32	63	36	26,5	42	46	6

Compatibile/similare a Z13 in versione bronzo  
Compatible/similar to Z13 but in bronze

# HZ13BG

BUSSOLE DI GUIDA IN LEGA SPECIALE E GRAFITE  
SPECIAL ALLOY AND GRAPHITE GUIDE BUSHES



**MAT LEGA SPECIALE+GRAFITE**

**MAT SPECIAL ALLOY + GRAPHITE**

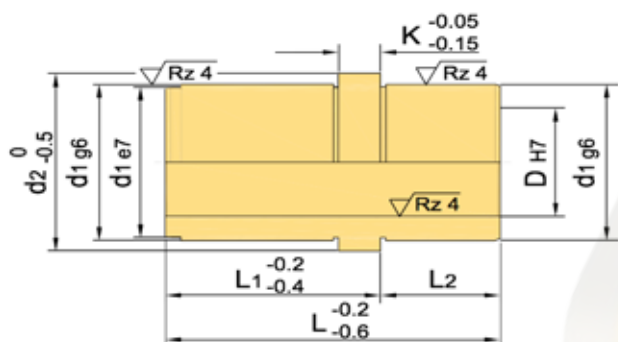


Code per n. pezzi

HZ13B / D / L1 / L 4 pcs.

Code	D	L	L1	L2	d1	d2	K
HZ13B/14(15)/17/26	14/15	26	17	9	20	25	6
HZ13B/18(20)/22/39	18/20	39	22	17	26	31	6
HZ13B/22(24)/27/49	22/24	49	27	22	30	35	6
HZ13B/30(32)/36/63	30/32	63	36	27	42	47	6

Compatibile/similare a Z13W  
Compatible/similar to Z13W



**MAT BRONZO SPECIALE / SPECIAL BRONZE**



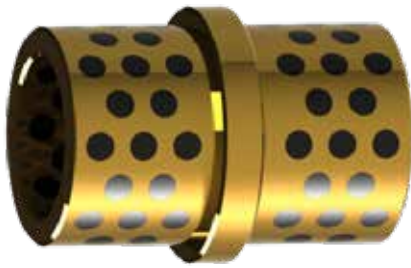
Code per n. pezzi

ME1120 / D / L1 / L2 4 pcs.

Code	D	L1	L2	L	d1	d2	K
ME1120/10/10/05	10	10	5	15	14	16	3
ME1120/10/12/09	10	12	9	21	14	17	6
ME1120/10/17/09	10	17	9	26	14	17	6
ME1120/10/10/10	10	10	10	20	14	16	3
ME1120/12/17/09	12	17	9	26	16	19	6
ME1120/12/17/12	12	17	12	29	16	19	6
ME1120/14/17/12	14	17	12	29	18	21	6
ME1120/14/22/12	14	22	12	34	18	21	6
ME1120/14/22/17	14	22	17	29	18	21	6
ME1120/18/17/12	18	17	12	29	24	27	6
ME1120/18/22/12	18	22	12	34	24	27	6
ME1120/18/22/17	18	22	17	39	24	27	6
ME1120/18/27/17	18	27	17	44	24	27	6
ME1120/18/27/22	18	27	22	49	24	27	6
ME1120/20/22/17	20	22	17	39	26	29	6
ME1120/20/27/22	20	27	22	49	26	29	6
ME1120/22/22/17	22	22	17	39	28	31	6
ME1120/22/27/22	22	27	22	49	28	31	6
ME1120/24/22/17	24	22	17	39	30	33	6
ME1120/24/27/17	24	27	17	44	30	33	6
ME1120/24/27/22	24	27	22	49	30	33	6
ME1120/24/36/27	24	36	27	63	30	33	6
ME1120/30/27/22	30	27	22	49	38	41	6
ME1120/30/36/27	30	36	27	63	38	41	6
ME1120/30/46/27	30	46	27	73	38	41	6
ME1120/30/46/36	30	46	36	82	38	41	6
ME1120/40/46/36	40	46	36	82	48	51	6

Compatibile/similare a E1120

Compatible/similar to E1120



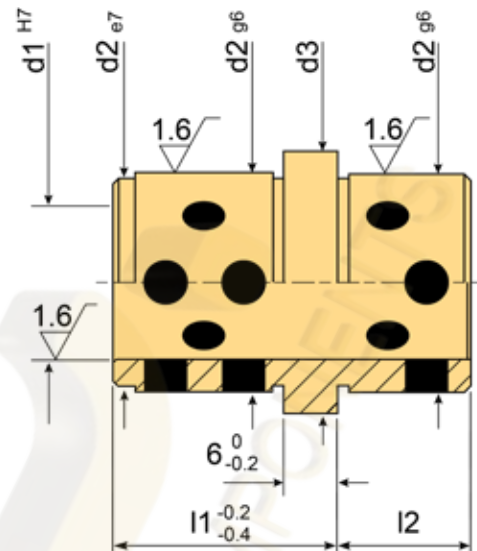
**MAT LEGA SPECIALE+GRAFITE**

**MAT SPECIAL ALLOY + GRAPHITE**

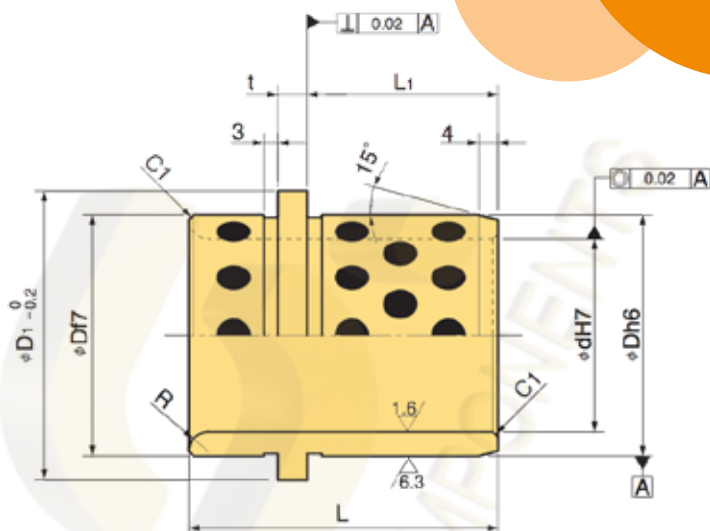


Code per n. pezzi

**ME1125 / d1-L2 / L1 4 pcs.**



Code	d1	L1	L2	d2	d3
ME1125/10-9/12	10	12	9	14	17
ME1125/10-9/17		17	9		
ME1125/12-9/17	12	17	9	16	19
ME1125/12-12/17		17	12		
ME1125/14-12/17	14	17	12	18	21
ME1125/14-12/22		22	12		
ME1125/14-17/22		22	17		
ME1125/18-12/17	18	17	12	24	27
ME1125/18-12/22		22	12		
ME1125/18-17/22		22	17		
ME1125/18-17/27		27	17		
ME1125/18-22/27	20	27	22	26	29
ME1125/20-17/22		22	17		
ME1125/20-22/27		27	22		
ME1125/22-17/22	22	22	17	28	31
ME1125/22-22/27		27	22		
ME1125/24-17/22	24	22	17	30	33
ME1125/24-17/27		27	17		
ME1125/24-22/27		27	22		
ME1125/24-27/36		36	27		
ME1125/30-22/27	30	27	22	38	41
ME1125/30-27/36		36	27		
ME1125/30-27/46		46	27		
ME1125/30-36/46		46	36		
ME1125/40-36/46	40	46	36	48	51
Compatibile/similare a E1125					
Compatibile/similare to E1125					



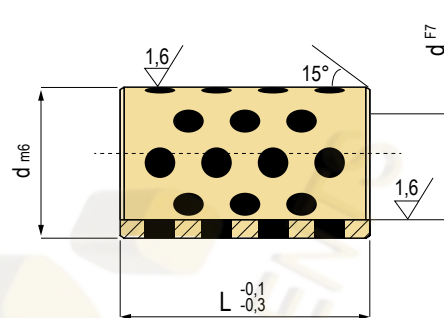
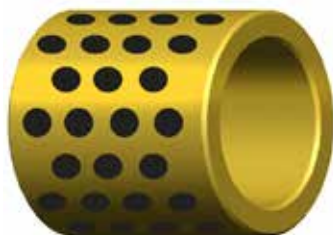
**MAT LEGA SPECIALE+GRAFITE**

**MAT SPECIAL ALLOY + GRAPHITE**



Code per n. pezzi  
TSOEG/ D / L 4 pcs.

Code	d	L	D	D1	t	L1
TSOEG/25/043	25	43	35	40	7,5	24
TSOEG/30/043	30	43	42	47	7,5	24
TSOEG/40/060	40	60	50	59,9	6	35,5
TSOEG/40/064		64				39,5
TSOEG/50/077	50	77	63	71,9	8	44,5
TSOEG/50/092		92				55,5
TSOEG/60/078	60	78	80	86	7,5	49
TSOEG/63/095	63	95				55,5
TSOEG/63/100		100				62,5
TSOEG/63/108	63	108				
Compatibile/similare a TSOEG - W3.8						
Compatibile/similare to TSOEG - W3.8						



**MAT\_ LEGA SPECIALE+GRAFITE**

**MAT\_ SPECIAL ALLOY + GRAPHITE**

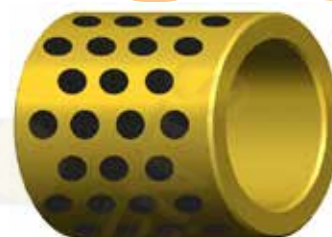
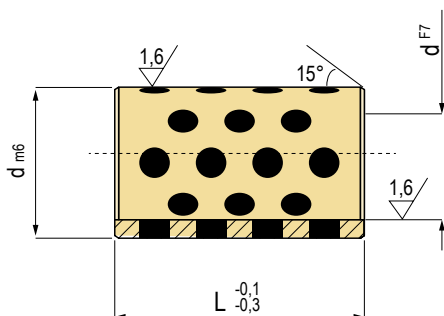


Code per n. pezzi

**TOB / d / D / L 4pcs.**

Code	d	D	L	Code	d	D	L	Code	d	D	L
TOB/08/12/08	8	12	8	TOB/16/22/40	16	22	40	TOB/25/35/16	25	35	16
TOB/08/12/10	8	12	10	TOB/18/24/16	18	24	16	TOB/25/35/20	25	35	20
TOB/08/12/12	8	12	12	TOB/18/24/20	18	24	20	TOB/25/35/25	25	35	25
TOB/08/12/15	8	12	15	TOB/18/24/25	18	24	25	TOB/25/35/30	25	35	30
TOB/10/14/8	10	14	8	TOB/18/24/30	18	24	30	TOB/25/35/35	25	35	35
TOB/10/14/10	10	14	10	TOB/20/28/16	20	28	16	TOB/25/35/40	25	35	40
TOB/10/14/12	10	14	12	TOB/20/28/20	20	28	20	TOB/25/35/50	25	35	50
TOB/10/14/15	10	14	15	TOB/20/28/25	20	28	25	TOB/30/38/20	30	38	20
TOB/10/14/20	10	14	20	TOB/20/28/30	20	28	30	TOB/30/38/25	30	38	25
TOB/12/18/10	12	18	10	TOB/20/28/35	20	28	35	TOB/30/38/30	30	38	30
TOB/12/18/12	12	18	12	TOB/20/28/40	20	28	40	TOB/30/38/35	30	38	35
TOB/12/18/16	12	18	16	TOB/20/28/50	20	28	50	TOB/30/38/40	30	38	40
TOB/12/18/20	12	18	20	TOB/20/30/16	20	30	16	TOB/30/38/50	30	38	50
TOB/12/18/25	12	18	25	TOB/20/30/20	20	30	20	TOB/30/38/60	30	38	60
TOB/12/18/30	12	18	30	TOB/20/30/25	20	30	25	TOB/30/40/20	30	40	20
TOB/14/20/12	14	20	12	TOB/20/30/30	20	30	30	TOB/30/40/25	30	40	25
TOB/14/20/15	14	20	15	TOB/20/30/35	20	30	35	TOB/30/40/30	30	40	30
TOB/14/20/20	14	20	20	TOB/20/30/40	20	30	40	TOB/30/40/35	30	40	35
TOB/14/20/25	14	20	25	TOB/25/33/16	25	33	16	TOB/30/40/40	30	40	40
TOB/14/20/30	14	20	30	TOB/25/33/20	25	33	20	TOB/30/40/50	30	40	50
TOB/16/22/10	16	22	10	TOB/25/33/25	25	33	25	TOB/30/40/60	30	40	60
TOB/16/22/12	16	22	12	TOB/25/33/30	25	33	30	TOB/30/40/30	30	44	30
TOB/16/22/16	16	22	16	TOB/25/33/35	25	33	35	TOB/32/42/25	32	42	25
TOB/16/22/20	16	22	20	TOB/25/33/40	25	33	40	TOB/32/42/32	32	42	32
TOB/16/22/25	16	22	25	TOB/25/33/50	25	33	50	TOB/32/42/40	32	42	40
TOB/16/22/30	16	22	30	TOB/25/33/60	25	33	60	TOB/32/42/50	32	42	50
Compatibile/similare a BM1 - SOB-2052.70 - E1127				Compatibile/similare a BM1 - SOB-2052.70 - E1127				Compatibile/similare a BM1 - SOB-2052.70 - E1127			
Compatible/similar to BM1 - SOB-2052.70 - E1127				Compatible/similar to BM1 - SOB-2052.70 - E1127				Compatible/similar to BM1 - SOB-2052.70 - E1127			





**MAT LEGA SPECIALE+GRAFITE**

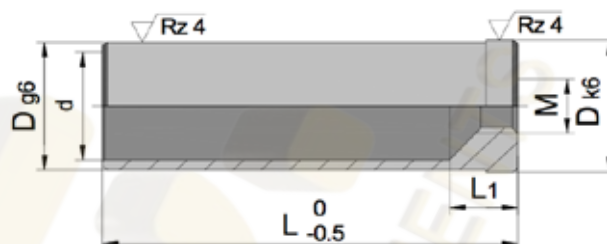
**MAT SPECIAL ALLOY + GRAPHITE**

Code per n. pezzi  
**TOB / d / D / L 4pcs.**

Code	d	D	L
TOB/35/44/35	35	44	35
TOB/35/44/40	35	44	40
TOB/35/44/50	35	44	50
TOB/35/44/60	35	44	60
TOB/40/50/30	40	50	30
TOB/40/50/35	40	50	35
TOB/40/50/40	40	50	40
TOB/40/50/50	40	50	50
TOB/40/50/60	40	50	60
TOB/40/50/70	40	50	70
TOB/40/50/80	40	50	80
TOB/45/56/30	45	56	30
TOB/45/56/35	45	56	35
TOB/45/56/40	45	56	40
TOB/45/56/50	45	56	50
TOB/45/56/60	45	56	60
TOB/50/60/30	50	60	30
TOB/50/60/35	50	60	35
TOB/50/60/40	50	60	40
TOB/50/60/50	50	60	50
TOB/50/60/60	50	60	60
TOB/50/60/70	50	60	70
TOB/50/60/80	50	60	80
TOB/50/62/30	50	62	30
TOB/50/62/35	50	62	35
TOB/50/62/40	50	62	40
Compatibile/similare a BM1 - SOB-2052.70 - E1127			
Compatible/similar to BM1 - SOB-2052.70 - E1127			

Code	d	D	L
TOB/50/62/50	50	62	50
TOB/50/62/60	50	62	60
TOB/50/62/70	50	62	70
TOB/60/74/30	60	74	30
TOB/60/74/35	60	74	35
TOB/60/74/40	60	74	40
TOB/60/74/50	60	74	50
TOB/60/74/60	60	74	60
TOB/60/74/70	60	74	70
TOB/60/74/80	60	74	80
TOB/60/75/30	60	75	30
TOB/60/75/35	60	75	35
TOB/60/75/40	60	75	40
TOB/60/75/50	60	75	50
TOB/60/75/60	60	75	60
TOB/60/75/70	60	75	70
TOB/60/75/80	60	75	80
TOB/60/75/100	60	75	100
TOB/70/85/35	70	85	35
TOB/70/85/40	70	85	40
TOB/70/85/50	70	85	50
TOB/70/85/60	70	85	60
TOB/70/85/70	70	85	70
TOB/70/85/80	70	85	80
TOB/70/85/100	70	85	100
TOB/80/96/40	80	96	40
Compatibile/similare a BM1 - SOB-2052.70 - E1127			
Compatible/similar to BM1 - SOB-2052.70 - E1127			

Code	d	D	L
TOB/80/96/50	80	96	50
TOB/80/96/60	80	96	60
TOB/80/96/70	80	96	70
TOB/80/96/80	80	96	80
TOB/80/96/100	80	96	100
TOB/80/96/120	80	96	120
TOB/100/120/60	100	120	60
TOB/100/120/70	100	120	70
TOB/100/120/80	100	120	80
TOB/100/120/100	100	120	100
TOB/100/120/120	100	120	120
TOB/110/130/80	110	130	80
TOB/110/130/100	110	130	100
TOB/110/130/120	110	130	120
TOB/120/140/80	120	140	80
TOB/120/140/100	120	140	100
TOB/120/140/120	120	140	120
TOB/120/140/140	120	140	140
TOB/130/150/100	130	150	100
TOB/130/150/130	130	150	130
TOB/140/160/100	140	160	100
TOB/140/160/140	140	160	140
TOB/150/170/100	150	170	100
TOB/150/170/150	150	170	150
TOB/160/180/100	160	180	100
TOB/160/180/150	160	180	150
Compatibile/similare a BM1 - SOB-2052.70 - E1127			
Compatible/similar to BM1 - SOB-2052.70 - E1127			



**MAT\_1.7139 ca. 700HV**



Code per n. pezzi

**HZ20 / D / L 4 pcs.**

Code	D	L	L1	M	d
HZ20/14/20	14	20	8	8	11
HZ20/14/30		30			
HZ20/14/40		40			
HZ20/14/50		50			
HZ20/14/60		60			
HZ20/14/70		70			
HZ20/14/80		80			
HZ20/14/100		100			
HZ20/20/30		20			
HZ20/20/40	40				
HZ20/20/50	50				
HZ20/20/60	60				
HZ20/20/70	70				
HZ20/20/80	80				
HZ20/20/100	100				
HZ20/20/120	120				
HZ20/20/140	140				
HZ20/20/160	160				
HZ20/26/30	26	30	12	12	21
HZ20/26/40		40			
HZ20/26/50		50			
HZ20/26/60		60			
HZ20/26/70		70			
HZ20/26/80		80			
HZ20/26/100		100			
HZ20/26/120		120			

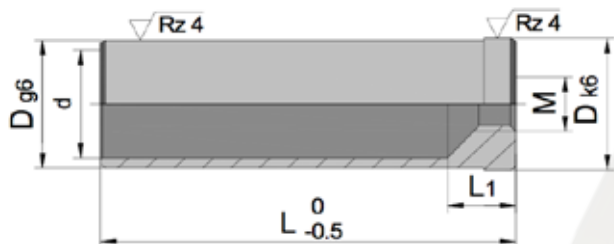
Possibilità di fornire compatibili ME1160 | We can provide ME1160 compatibles

Compatibile/similare a Z20 - E1160 | Compatible/similar to Z20 - E1160

Code	D	L	L1	M	d
HZ20/26/140	26	140	12	12	21
HZ20/26/160		160			
HZ20/26/180		180			
HZ20/30/40	30	40	12	12	25
HZ20/30/50		50			
HZ20/30/60		60			
HZ20/30/80		80			
HZ20/30/100		100			
HZ20/30/120		120			
HZ20/30/140		140			
HZ20/30/160		160			
HZ20/30/180		180			
HZ20/30/200		200			
HZ20/30/220	220				
HZ20/30/240	240				
HZ20/42/40	42	40	12	12	33
HZ20/42/60		60			
HZ20/42/80		80			
HZ20/42/100		100			
HZ20/42/120		120			
HZ20/42/140		140			
HZ20/42/160		160			
HZ20/42/180		180			
HZ20/42/200		200			
HZ20/42/220		220			
HZ20/42/240		240			

Possibilità di fornire compatibili ME1160 | We can provide ME1160 compatibles

Compatibile/similare a Z20 - E1160 | Compatible/similar to Z20 - E1160



**MAT\_ 1.7139 ca. 700HV**



Code per n. pezzi

**HZ00 / D / L / L1 4 pcs.**

Code	D	L	L1	M	d
HZ20/42/260		260			
HZ20/42/280	42	280	12	12	33
HZ20/42/300		300			
HZ20/54/60		60			
HZ20/54/80		80			
HZ20/54/100		100			
HZ20/54/120		120			
HZ20/54/140	54	140	12	12	43
HZ20/54/160		160			
HZ20/54/200		200			
HZ20/54/240		240			
HZ20/54/280		280			
HZ20/54/320		320			
HZ20/66/80		80			
HZ20/66/100		100			
HZ20/66/120		120			
HZ20/66/140		140			
HZ20/66/160	66	160	18	12	54
HZ20/66/180		180			
HZ20/66/200		200			
HZ20/66/240		240			
HZ20/66/280		280			
HZ20/66/320		320			
HZ20/80/100		100			
HZ20/80/120	80	120	18	20	64
HZ20/80/140		140			

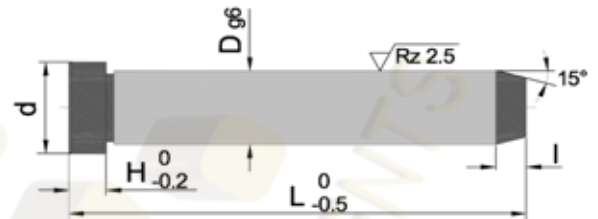
Possibilità di fornire compatibili ME1160 | We can provide ME1160 compatibles

Compatibile/similare a Z20 - E1160 | Compatible/similar to Z20 - E1160

Code	D	L	L1	M	d
HZ20/80/160		160			
HZ20/80/200		200			
HZ20/80/240	80	240	18	20	64
HZ20/80/280		280			
HZ20/80/320		320			

Possibilità di fornire compatibili ME1160 | We can provide ME1160 compatibles

Compatibile/similare a Z20 - E1160 | Compatible/similar to Z20 - E1160



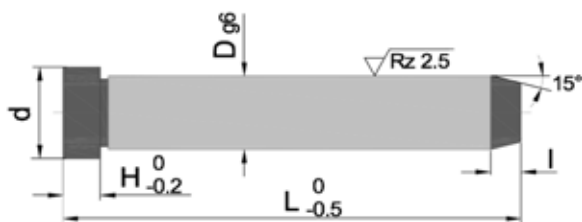
**MAT\_1.7139 ca. 700HV**



Code per n. pezzi  
**HZ01 / D / L 4 pcs.**

Code	D	L	d	I	H
HZ01/8/40	8	40	10	4	3
HZ01/8/50		50			
HZ01/8/60		60			
HZ01/8/80		80			
HZ01/8/100		100			
HZ01/9/40	9	40	12	4	3
HZ01/9/60		60			
HZ01/9/80		80			
HZ01/9/100		100			
HZ01/9/120		120			
HZ01/10/40	10	40	12	4	3
HZ01/10/60		60			
HZ01/10/80		80			
HZ01/10/100		100			
HZ01/10/120		120			
HZ01/10/140	10	140	16	5	6
HZ01/10/160		160			
HZ01/12/40		40			
HZ01/12/60		60			
HZ01/12/80		80			
HZ01/12/100	100				
HZ01/12/120	120				
HZ01/12/140	140				
HZ01/12/160	160				
HZ01/12/180	180				
HZ01/12/200	200				
Compatibile/similare a Z01					
Compatible/similar to Z01					

Code	D	L	d	I	H
HZ01/14/60	14	60	18	5	8
HZ01/14/80		80			
HZ01/14/100		100			
HZ01/14/120		120			
HZ01/14/140		140			
HZ01/14/160	14	160	20	5	8
HZ01/14/180		180			
HZ01/14/200		200			
HZ01/14/220		220			
HZ01/14/240		240			
HZ01/15/60	15	60	18	5	8
HZ01/15/80		80			
HZ01/15/100		100			
HZ01/15/120		120			
HZ01/15/140		140			
HZ01/15/160	15	160	20	5	8
HZ01/15/180		180			
HZ01/15/200		200			
HZ01/15/220		220			
HZ01/15/240		240			
HZ01/16/40	16	40	20	5	8
HZ01/16/60		60			
HZ01/16/80		80			
HZ01/16/100		100			
HZ01/16/120		120			
HZ01/16/140	140				
Compatibile/similare a Z01					
Compatible/similar to Z01					



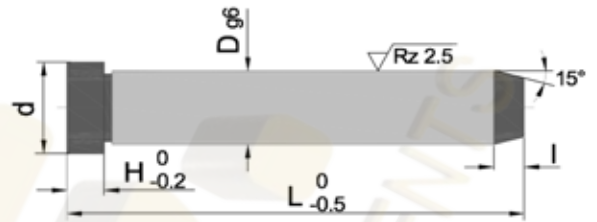
**MAT\_ 1.7139 ca. 700HV**



Code per n. pezzi  
**HZ01 / D / L 4 pcs.**

Code	D	L	d	l	H				
HZ01/16/160	16	160	20	5	8				
HZ01/16/180		180							
HZ01/16/200		200							
HZ01/16/220		220							
HZ01/16/240		240							
HZ01/16/300		300							
HZ01/18/60	18	60	22	7	8				
HZ01/18/80		80							
HZ01/18/100		100							
HZ01/18/120		120							
HZ01/18/140		140							
HZ01/18/160		160							
HZ01/18/180		180							
HZ01/18/200		200							
HZ01/18/220		220							
HZ01/18/240		240							
HZ01/18/260		260							
HZ01/18/280		280							
HZ01/18/300		300							
HZ01/18/320		320							
HZ01/20/60		20				60	24	7	8
HZ01/20/80						80			
HZ01/20/100	100								
HZ01/20/120	120								
HZ01/20/140	140								
HZ01/20/160	160								
Compatibile/similare a Z01									
Compatible/similar to Z01									

Code	D	L	d	l	H
HZ01/20/180	20	180	24	7	8
HZ01/20/200		200			
HZ01/20/220		220			
HZ01/20/240		240			
HZ01/20/260		260			
HZ01/20/280		280			
HZ01/20/300	300				
HZ01/20/320	320				
HZ01/22/80	22	80	26	7	15
HZ01/22/100		100			
HZ01/22/120		120			
HZ01/22/140		140			
HZ01/22/160		160			
HZ01/22/180		180			
HZ01/22/200		200			
HZ01/22/220		220			
HZ01/22/240		240			
HZ01/22/260		260			
HZ01/22/280		280			
HZ01/22/300		300			
HZ01/22/320	320				
HZ01/22/340	340				
HZ01/22/360	360				
HZ01/24/80	24	80	28	7	15
HZ01/24/100		100			
HZ01/24/120		120			
Compatibile/similare a Z01					
Compatible/similar to Z01					



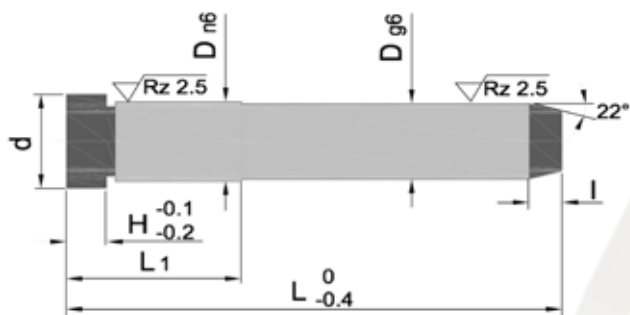
**MAT\_1.7139 ca. 700HV**



Code per n. pezzi  
**HZ01 / D / L 4 pcs.**

Code	D	L	d	l	H				
HZ01/24/140	24	140	28	7	15				
HZ01/24/160		160							
HZ01/24/180		180							
HZ01/24/200		200							
HZ01/24/220		220							
HZ01/24/240		240							
HZ01/24/260		260							
HZ01/24/280		280							
HZ01/24/300		300							
HZ01/24/320		320							
HZ01/24/340		340							
HZ01/24/360		360							
HZ01/30/100		30				100	36	7	15
HZ01/30/120						120			
HZ01/30/140	140								
HZ01/30/160	160								
HZ01/30/180	180								
HZ01/30/200	200								
HZ01/30/240	240								
HZ01/30/300	300								
HZ01/30/360	360								
HZ01/30/400	400								
HZ01/32/100	32	100	36	7	15				
HZ01/32/120		120							
HZ01/32/140		140							
HZ01/32/160		160							
Compatibile/similare a Z01									
Compatible/similar to Z01									

Code	D	L	d	l	H
HZ01/32/180	32	180	36	7	15
HZ01/32/200		200			
HZ01/32/240		240			
HZ01/32/300		300			
HZ01/32/360		360			
HZ01/32/400		400			
HZ01/40/160	40	160	48	10	15
HZ01/40/200		200			
HZ01/40/240		240			
HZ01/40/300		300			
HZ01/40/360		360			
HZ01/40/400		400			
HZ01/40/420		420			
HZ01/40/500		500			
HZ01/50/160	50	160	58	15	15
HZ01/50/200		200			
HZ01/50/240		240			
HZ01/50/300		300			
HZ01/50/360		360			
HZ01/50/400	400				
HZ01/50/500	500				
HZ01/60/280	60	280	68	20	20
HZ01/60/300		300			
HZ01/60/340		340			
HZ01/60/360		360			
HZ01/60/400		400			
HZ01/60/500	500				
Compatibile/similare a Z01					
Compatible/similar to Z01					



**MAT\_1.7139 ca. 700HV**

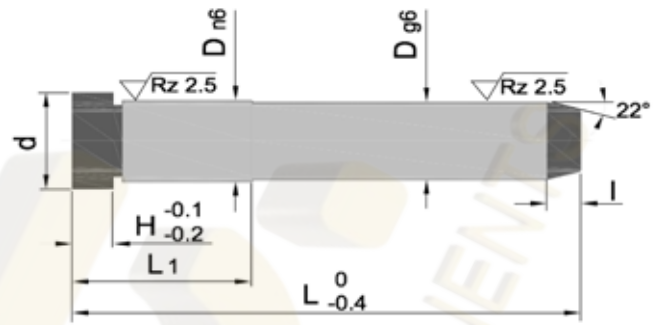


Code per n. pezzi

**ME1030 / D / L 4 pcs.**

Code	D	L	d	H	I	L1
ME1030/9/40		40				
ME1030/9/60		60				
ME1030/9/70		70				
ME1030/9/80	9	80	11	3	4	11
ME1030/9/90		90				
ME1030/9/100		100				
ME1030/9/120		120				
ME1030/10/40		40				
ME1030/10/50		50				
ME1030/10/60		60				
ME1030/10/70	10	70	12	3	4	11
ME1030/10/80		80				
ME1030/10/90		90				
ME1030/10/100		100				
ME1030/10/120		120				
ME1030/12/60		60				
ME1030/12/70		70				
ME1030/12/80		80				
ME1030/12/90		90				
ME1030/12/100	12	100	15	6	5	16
ME1030/12/110		110				
ME1030/12/120		120				
ME1030/12/140		140				
ME1030/12/160		160				
ME1030/14/60	14	60	17	8	5	21
ME1030/14/70		70				
Compatibile/similare a E1030						
Compatible/similar to E1030						

Code	D	L	d	H	I	L1
ME1030/14/80		80				
ME1030/14/90		90				
ME1030/14/100		100				
ME1030/14/110	14	110	17	8	5	21
ME1030/14/120		120				
ME1030/14/140		140				
ME1030/14/160		160				
ME1030/14/180		180				
ME1030/16/60		60				
ME1030/16/70		70				
ME1030/16/80		80				
ME1030/16/90		90				
ME1030/16/100		100				
ME1030/16/110	16	110	19	8	5	21
ME1030/16/120		120				
ME1030/16/140		140				
ME1030/16/160		160				
ME1030/16/180		180				
ME1030/16/200		200				
ME1030/16/220		220				
ME1030/18/60		60				
ME1030/18/70		70				
ME1030/18/80	18	80	21	8	7	21
ME1030/18/90		90				
ME1030/18/100		100				
ME1030/18/110		110				
Compatibile/similare a E1030						
Compatible/similar to E1030						



**MAT\_ 1.7139 ca. 700HV**



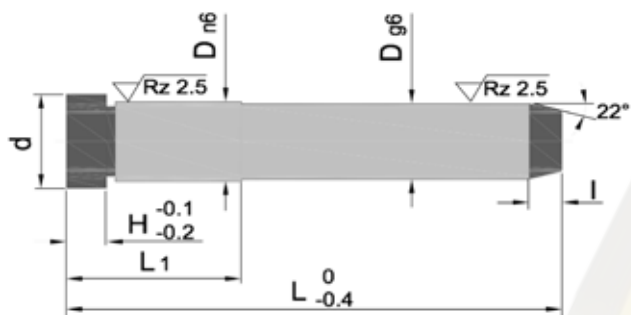
Code per n. pezzi

**ME1030 / D / L 4 pcs.**

Code	D	L	d	H	I	L1					
ME1030/18/120	18	120	21	8	7	21					
ME1030/18/140		140									
ME1030/18/160		160									
ME1030/18/180		180									
ME1030/18/200		200									
ME1030/18/220		220									
ME1030/18/240		240									
ME1030/20/80		20					80	23	8	7	21
ME1030/20/90	90										
ME1030/20/100	100										
ME1030/20/110	110										
ME1030/20/120	120										
ME1030/20/140	140										
ME1030/20/160	160										
ME1030/20/180	180										
ME1030/20/200	200										
ME1030/20/220	220										
ME1030/20/240	240										
ME1030/20/260	260										
ME1030/20/280	280										
ME1030/22/80	22		80	25	10	7	26				
ME1030/22/100			100								
ME1030/22/120			120								
ME1030/22/140		140									
ME1030/22/160		160									
ME1030/22/180		180									
Compatibile/similare a E1030											
Compatible/similar to E1030											

Code	D	L	d	H	I	L1
ME1030/22/200	22	200	25	10	7	26
ME1030/22/220		220				
ME1030/22/240		240				
ME1030/22/280		280				
ME1030/24/80	24	80	27	10	7	26
ME1030/24/100		100				
ME1030/24/120		120				
ME1030/24/140		140				
ME1030/24/160		160				
ME1030/24/180		180				
ME1030/24/200		200				
ME1030/24/220		220				
ME1030/24/240	240					
ME1030/24/280	280					
ME1030/30/100	30	100	35	10	7	35
ME1030/30/120		120				
ME1030/30/140		140				
ME1030/30/160		160				
ME1030/30/180		180				
ME1030/30/200		200				
ME1030/30/220		220				
ME1030/30/240		240				
ME1030/30/280		280				
ME1030/30/320		320				
ME1030/30/360	360					
ME1030/30/400	400					
Compatibile/similare a E1030						
Compatible/similar to E1030						





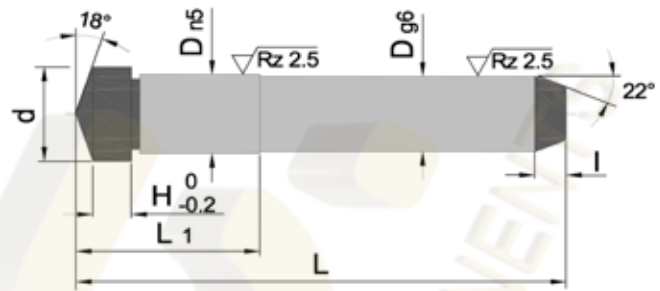
**MAT\_1.7139 ca. 700HV**



Code per n. pezzi

**ME1030 / D / L 4 pcs.**

Code	D	L	d	H	I	L1
ME1030/32/100	32	100	35	10	7	35
ME1030/32/120		120				
ME1030/32/140		140				
ME1030/32/160		160				
ME1030/32/180		180				
ME1030/32/200		200				
ME1030/32/220		220				
ME1030/32/240		240				
ME1030/32/280		280				
ME1030/32/320		320				
ME1030/32/360		360				
ME1030/40/140	40	140	45	10	7	35
ME1030/40/160		160				
ME1030/40/180		180				
ME1030/40/200		200				
ME1030/40/250		250				
ME1030/40/280		280				
ME1030/40/320		320				
ME1030/40/360		360				
ME1030/40/400	400					
Compatibile/similare a E1030						
Compatible/similar to E1030						



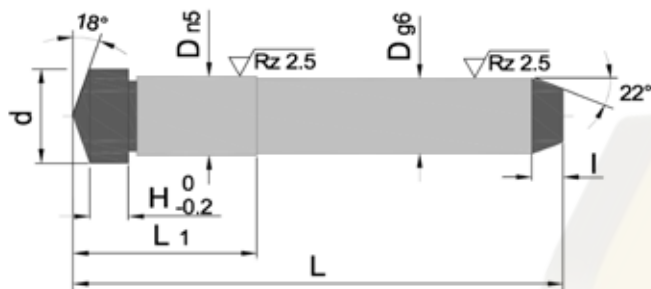
**MAT\_1.7139 ca. 700HV**



Code per n. pezzi  
**HZ016 / D / L 4 pcs.**

Code	D	L	d	H	I	L1					
HZ016/10/40	10	40	12	2	4	13					
HZ016/10/50		50									
HZ016/10/60		60									
HZ016/10/70		70									
HZ016/10/80		80									
HZ016/10/90		90									
HZ016/10/100		100									
HZ016/10/120		120									
HZ016/10/140		140									
HZ016/12/60		12					60	15	3	5	17
HZ016/12/70	70										
HZ016/12/80	80										
HZ016/12/90	90										
HZ016/12/100	100										
HZ016/12/110	110										
HZ016/12/120	120										
HZ016/12/140	140										
HZ016/12/160	160										
HZ016/12/180	180										
HZ016/14/60	14	60	17	3	5	17					
HZ016/14/70		70									
HZ016/14/80		80									
HZ016/14/90		90									
HZ016/14/100		100									
HZ016/14/110		110									
HZ016/14/120		120									
Compatibile/similare a Z016 e E1032											
Compatible/similar to Z016 and E1032											

Code	D	L	d	H	I	L1					
HZ016/14/140	14	140	17	3	5	17					
HZ016/14/160		160									
HZ016/14/180		180									
HZ016/14/200		200									
HZ016/16/60		16					60	19	3	5	22
HZ016/16/70							70				
HZ016/16/80	80										
HZ016/16/90	90										
HZ016/16/100	100										
HZ016/16/110	110										
HZ016/16/120	120										
HZ016/16/140	140										
HZ016/16/160	160										
HZ016/16/180	180										
HZ016/16/200	200										
HZ016/16/220	220										
HZ016/18/60	18	60	21	3	7	22					
HZ016/18/70		70									
HZ016/18/80		80									
HZ016/18/90		90									
HZ016/18/100		100									
HZ016/18/110		110									
HZ016/18/120		120									
HZ016/18/140		140									
HZ016/18/160		160									
HZ016/18/180		180									
Compatibile/similare a Z016 e E1032											
Compatible/similar to Z016 and E1032											



**MAT\_1.7139 ca. 700HV**

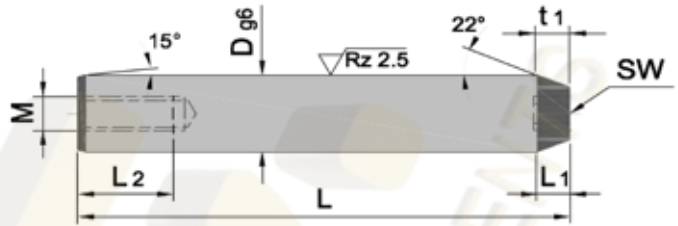


Code per n. pezzi

**HZ016 / D / L 4 pcs.**

Code	D	L	d	H	I	L1
HZ016/18/200	18	200	21	3	7	22
HZ016/18/220		220				
HZ016/18/240		240				
HZ016/20/80	20	80	23	4	7	22
HZ016/20/90		90				
HZ016/20/100		100				
HZ016/20/110		110				
HZ016/20/120		120				
HZ016/20/140		140				
HZ016/20/160		160				
HZ016/20/180	180					
HZ016/20/200	200					
HZ016/20/220	220					
HZ016/20/240	240					
HZ016/22/60	22	60	25	4	7	27
HZ016/22/80		80				
HZ016/22/100		100				
HZ016/22/120		120				
HZ016/22/140		140				
HZ016/22/160		160				
HZ016/22/180		180				
HZ016/22/200		200				
HZ016/22/220		220				
HZ016/22/240		240				
HZ016/24/80	24	80	27	4	7	27
HZ016/24/100		100				
Compatibile/similare a Z016 e E1032						
Compatible/similar to Z016 and E1032						

Code	D	L	d	H	I	L1
HZ016/24/120	24	120	27	4	7	27
HZ016/24/140		140				
HZ016/24/160		160				
HZ016/24/180		180				
HZ016/24/200		200				
HZ016/24/220		220				
HZ016/24/240		240				
HZ016/24/280	280					
HZ016/30/100	30	100	35	5	7	36
HZ016/30/120		120				
HZ016/30/140		140				
HZ016/30/160		160				
HZ016/30/180		180				
HZ016/30/200		200				
HZ016/30/220		220				
HZ016/30/240		240				
HZ016/30/280		280				
HZ016/30/320		320				
HZ016/30/360	360					
Compatibile/similare a Z016 e E1032						
Compatible/similar to Z016 and E1032						



**MAT\_1.7139 ca. 700HV**

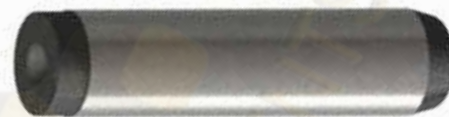
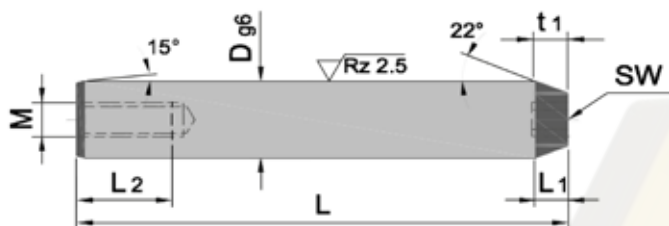


Code per n. pezzi

**HZ010 / D / L 4 pcs.**

Code	D	L	M	L2	L1	SW	t1
HZ010/8/40	8	40	5	10	2,3	4	4
HZ010/8/60		60					
HZ010/8/80		80					
HZ010/8/100		100					
HZ010/10/40	10	40	6	10	4	4	4
HZ010/10/60		60					
HZ010/10/70		70					
HZ010/10/80		80					
HZ010/10/100		100					
HZ010/10/120		120					
HZ010/12/50	12	50	6	10	5	5	5
HZ010/12/60		60					
HZ010/12/80		80					
HZ010/12/100		100					
HZ010/12/120		120					
HZ010/12/140		140					
HZ010/12/160		160					
HZ010/14/50		14					
HZ010/14/60	60						
HZ010/14/70	70						
HZ010/14/75	75						
HZ010/14/80	80						
HZ010/14/90	90						
HZ010/14/100	100						
HZ010/14/120	120						
HZ010/14/140	140						
Compatibile/similare a Z010 e E1034							
Compatible/similar to Z010 and E1034							

Code	D	L	M	L2	L1	SW	t1
HZ010/14/160	14	160	6	10	5	5	5
HZ010/14/180		180					
HZ010/15/50		50					
HZ010/15/60	60						
HZ010/15/70	70						
HZ010/15/80	80						
HZ010/15/90	90	16	8	17	5	6	6
HZ010/16/60	60						
HZ010/16/80	80						
HZ010/16/90	90						
HZ010/16/100	100						
HZ010/16/110	110						
HZ010/16/120	120						
HZ010/16/130	130						
HZ010/16/140	140						
HZ010/16/160	160						
HZ010/16/180	180						
HZ010/16/200	200						
HZ010/16/220	220	18	8	17	7	6	6
HZ010/18/60	60						
HZ010/18/70	70						
HZ010/18/80	80						
HZ010/18/90	90						
HZ010/18/100	100						
HZ010/18/110	110						
HZ010/18/120	120						
Compatibile/similare a Z010 e E1034							
Compatible/similar to Z010 and E1034							



**MAT 1.7139 ca. 700HV**

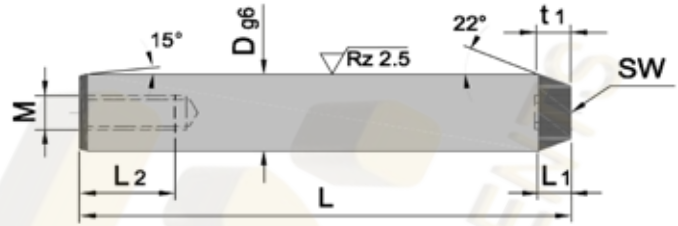


Code per n. pezzi

**HZ010 / D / L 4 pcs.**

Code	D	L	M	L2	L1	SW	t1
HZ010/18/125	18	125	8	17	7	6	6
HZ010/18/140		140					
HZ010/18/150		150					
HZ010/18/160		160					
HZ010/18/170		170					
HZ010/18/180		180					
HZ010/18/200		200					
HZ010/18/220		220					
HZ010/18/60		60					
HZ010/18/70	70						
HZ010/18/80	80						
HZ010/18/90	90						
HZ010/18/100	100						
HZ010/18/125	125						
HZ010/18/140	140						
HZ010/18/150	150						
HZ010/18/170	170						
HZ010/20/60	60	20	10	20	7	8	8
HZ010/20/70	70						
HZ010/20/80	80						
HZ010/20/90	90						
HZ010/20/100	100						
HZ010/20/110	110						
HZ010/20/120	120						
HZ010/20/125	125						
HZ010/20/140	140						
Compatibile/similare a Z010 e E1034							
Compatible/similar to Z010 and E1034							

Code	D	L	M	L2	L1	SW	t1
HZ010/20/150	20	150	10	20	7	8	8
HZ010/20/160		160					
HZ010/20/165		165					
HZ010/20/170		170					
HZ010/20/180		180					
HZ010/20/190		190					
HZ010/20/200		200					
HZ010/20/210		210					
HZ010/20/220		220					
HZ010/20/240	240						
HZ010/20/260	260						
HZ010/22/60	22	60	10	20	7	8	8
HZ010/22/70		70					
HZ010/22/80		80					
HZ010/22/90		90					
HZ010/22/100		100					
HZ010/22/120		120					
HZ010/22/140		140					
HZ010/22/160		160					
HZ010/22/180		180					
HZ010/22/200	200						
HZ010/22/220	220						
HZ010/22/240	240						
HZ010/24/60	24	60	12	25	7	8	8
HZ010/24/70		70					
HZ010/24/80		80					
Compatibile/similare a Z010 e E1034							
Compatible/similar to Z010 and E1034							



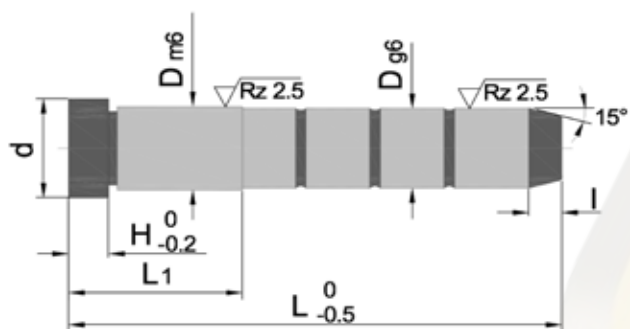
**MAT\_1.7139 ca. 700HV**



Code per n. pezzi

**HZ010 / D / L 4 pcs.**

Code	D	L	M	L2	L1	SW	t1
HZ010/24/90		90					
HZ010/24/100		100					
HZ010/24/120		120					
HZ010/24/140		140					
HZ010/24/145		145					
HZ010/24/160	24	160	12	25	7	8	8
HZ010/24/180		180					
HZ010/24/190		190					
HZ010/24/200		200					
HZ010/24/220		220					
HZ010/24/240		240					
HZ010/30/80		80					
HZ010/30/90		90					
HZ010/30/100		100					
HZ010/30/120	30	120	16	30	7	10	10
HZ010/30/140		140					
HZ010/30/180		180					
HZ010/30/200		200					
HZ010/32/80		80					
HZ010/32/90		90					
HZ010/32/100		100					
HZ010/32/120	32	120	16	30	7	10	10
HZ010/32/140		140					
HZ010/32/180		180					
HZ010/32/200		200					
Compatibile/similare a Z010 e E1034							
Compatible/similar to Z010 and E1034							



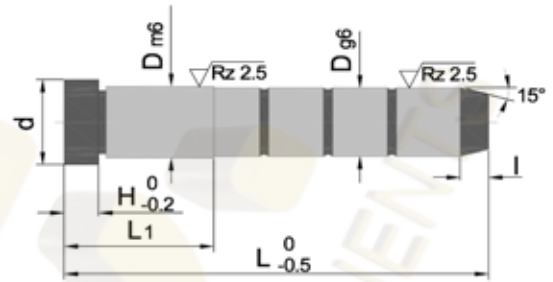
**MAT\_ 1.7139 ca. 700HV**



Code per n. pezzi  
**HZ011 / D / L 4 pcs.**

Code	D	L	d	H	I	L1
HZ011/10/40	10	40	12	3	5	17
HZ011/10/60		60				17
HZ011/10/80		80				22
HZ011/10/100		100				27
HZ011/12/60		12				60
HZ011/12/80	80		22			
HZ011/12/100	100		27			
HZ011/12/120	120		27			
HZ011/14/60	14		60	18	8	5
HZ011/14/80		80	22			
HZ011/14/100		100	27			
HZ011/14/120		120	27			
HZ011/14/140		140	36			
HZ011/14/160		160	36			
HZ011/14/180		180	36			
HZ011/16/60		16	60			
HZ011/16/80	80		22			
HZ011/16/100	100		27			
HZ011/16/120	120		27			
HZ011/16/140	140		36			
HZ011/16/160	160		36			
HZ011/16/180	180		36			
HZ011/16/200	200		36			
HZ011/16/240	240		46			
HZ011/18/80	18		80	22	8	7
HZ011/18/100		100	27			
Compatibile/similare a Z011						
Compatible/similar to Z011						

Code	D	L	d	H	I	L1				
HZ011/18/120	18	120	22	8	7	27				
HZ011/18/140		140				36				
HZ011/18/160		160				36				
HZ011/18/180		180				46				
HZ011/18/200		200				56				
HZ011/18/240	20	240	24	8	7	56				
HZ011/18/280		280				56				
HZ011/20/80		20				80	24	8	7	22
HZ011/20/100						100				27
HZ011/20/120						120				27
HZ011/20/140						140				36
HZ011/20/160	160		36							
HZ011/20/180	180		56							
HZ011/20/200	200		56							
HZ011/20/240	240		56							
HZ011/20/280	22	280	26	15	7	56				
HZ011/22/100		100				27				
HZ011/22/120		120				27				
HZ011/22/140		140				36				
HZ011/22/160		160				36				
HZ011/22/180		180				46				
HZ011/22/200		200				56				
HZ011/22/220		220				56				
HZ011/22/240		240				56				
HZ011/22/280		280				56				
HZ011/22/300	300	56								
Compatibile/similare a Z011										
Compatible/similar to Z011										



**MAT\_1.7139 ca. 700HV**



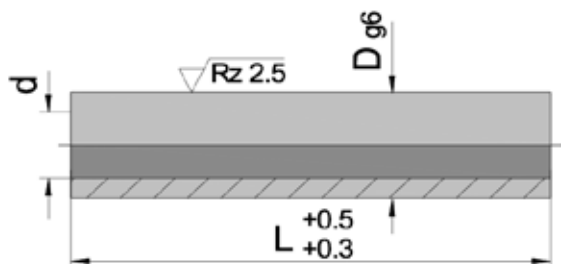
Code per n. pezzi

**HZ011 / D / L 4 pcs.**

Code	D	L	d	H	l	L1
HZ011/22/320	22	320	26	15	7	56
HZ011/22/360		360				56
HZ011/24/100	24	100	28	15	7	27
HZ011/24/120		120				27
HZ011/24/140		140				36
HZ011/24/160		160				36
HZ011/24/180		180				46
HZ011/24/200		200				56
HZ011/24/220		220				56
HZ011/24/240		240				56
HZ011/24/280		280				56
HZ011/24/300		300				56
HZ011/24/320	320	56				
HZ011/24/360	360	56				
HZ011/30/160	30	160	36	15	7	36
HZ011/30/200		200				56
HZ011/30/240		240				56
HZ011/30/280		280				56
HZ011/30/300		300				56
HZ011/30/360		360				56
HZ011/32/160	32	160	36	15	7	36
HZ011/32/200		200				56
HZ011/32/240		240				56
HZ011/32/280		280				56
HZ011/32/300		300				56
HZ011/32/360		360				56
Compatibile/similare a Z011						
Compatible/similar to Z011						

Code	D	L	d	H	l	L1
HZ011/40/200	40	200	48	15	10	56
HZ011/40/240		240				56
HZ011/40/300		300				56
HZ011/40/360		360				76
HZ011/40/400		400				76
HZ011/40/500		500				96
HZ011/50/200	50	200	58	15	15	46
HZ011/50/240		240				56
HZ011/50/300		300				56
HZ011/50/360		360				76
HZ011/50/400		400				76
HZ011/50/500		500				96
HZ011/60/240	60	240	68	20	20	56
HZ011/60/300		300				56
HZ011/60/360		360				76
HZ011/60/400		400				76
HZ011/60/500	500	96				
Compatibile/similare a Z011						
Compatible/similar to Z011						





**MAT\_1.7139 ca. 700HV**



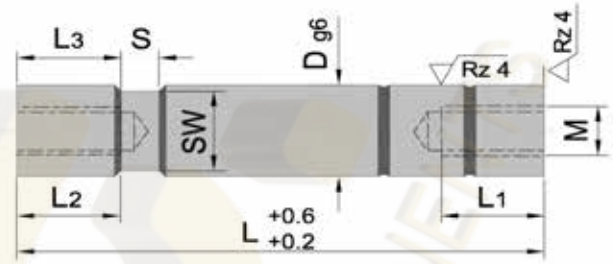
Code per n. pezzi

**HZ022 / D / L 4 pcs.**

Code	D	L	d		
HZ022/10/20	10	20	6,2		
HZ022/10/30		30			
HZ022/10/40		40			
HZ022/10/50		50			
HZ022/10/60		60			
HZ022/10/70		70			
HZ022/10/80		80			
HZ022/10/100		100			
HZ022/10/120		120			
HZ022/10/140		140			
HZ022/14/30		14		30	8,5
HZ022/14/40				40	
HZ022/14/50	50				
HZ022/14/60	60				
HZ022/14/70	70				
HZ022/14/80	80				
HZ022/14/100	100				
HZ022/14/120	120				
HZ022/14/140	140				
HZ022/14/160	160				
HZ022/14/180	180				
HZ022/18/40	18		40	10,5	
HZ022/18/60		60			
HZ022/18/80		80			
HZ022/18/100		100			
HZ022/18/120		120			
Compatibile/similare a Z022					
Compatible/similar to Z022					

Code	D	L	d		
HZ022/18/140	18	140	10,5		
HZ022/18/160		160			
HZ022/18/180		180			
HZ022/18/200		200			
HZ022/18/220		220			
HZ022/18/240		240			
HZ022/24/60		24		60	13,0
HZ022/24/80				80	
HZ022/24/100	100				
HZ022/24/120	120				
HZ022/24/140	140				
HZ022/24/160	160				
HZ022/24/180	180				
HZ022/24/200	200				
HZ022/24/240	240				
HZ022/30/80	30	80	17,0		
HZ022/30/100		100			
HZ022/30/120		120			
HZ022/30/140		140			
HZ022/30/160		160			
HZ022/30/180		180			
HZ022/30/200		200			
HZ022/30/220		220			
HZ022/30/240		240			
HZ022/30/260		260			
HZ022/30/280	280				
Compatibile/similare a Z022					
Compatible/similar to Z022					

Code	D	L	d
HZ022/30/300	30	300	17,0
Compatibile/similare a Z022			
Compatible/similar to Z022			



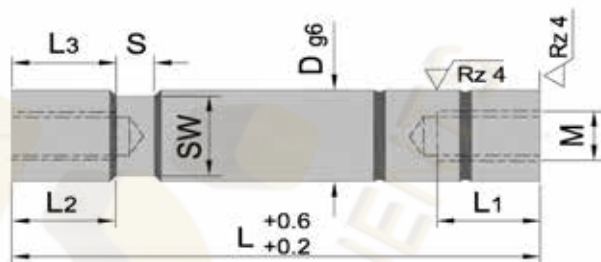
**MAT\_ 1.7139 ca. 700HV**



Code per n. pezzi  
**HZ02 / D / L 4 pcs.**

Code	D	L	L1	L2	L3	M	S	SW
HZ02/10/60		60						
HZ02/10/70		70						
HZ02/10/80		80						
HZ02/10/100	10	100	10	16	14	6	8	8
HZ02/10/120		120						
HZ02/10/140		140						
HZ02/10/160		160						
HZ02/14/60		60						
HZ02/14/70		70						
HZ02/14/80		80						
HZ02/14/100		100						
HZ02/14/120	14	120	17	25	14	8	8	12
HZ02/14/140		140						
HZ02/14/160		160						
HZ02/14/180		180						
HZ02/14/200		200						
HZ02/18/70		70						
HZ02/18/80		80						
HZ02/18/100		100						
HZ02/18/120		120						
HZ02/18/140	18	140	20	30	16	10	8	14
HZ02/18/160		160						
HZ02/18/180		180						
HZ02/18/200		200						
HZ02/18/220		220						
HZ02/18/240		240						
Compatibile/similare a Z02 e E1050								
Compatible/similar to Z02 and E1050								

Code	D	L	L1	L2	L3	M	S	SW
HZ02/18/70		70						
HZ02/18/80		80						
HZ02/18/100		100						
HZ02/18/120		120						
HZ02/18/140	18	140	20	30	16	12	8	14
HZ02/18/160		160						
HZ02/18/180		180						
HZ02/18/200		200						
HZ02/18/220		220						
HZ02/18/240		240						
HZ02/20/70		70						
HZ02/20/80		80						
HZ02/20/100		100						
HZ02/20/120		120						
HZ02/20/140	20	140	20	30	16	12	10	17
HZ02/20/160		160						
HZ02/20/180		180						
HZ02/20/200		200						
HZ02/20/220		220						
HZ02/20/240		240						
HZ02/24/70		70						
HZ02/24/80		80						
HZ02/24/100	24	100	25	35	22	12	12	19
HZ02/24/120		120						
HZ02/24/140		140						
HZ02/24/160		160						
Compatibile/similare a Z02 e E1050								
Compatible/similar to Z02 and E1050								



**MAT\_ 1.7139 ca. 700HV**

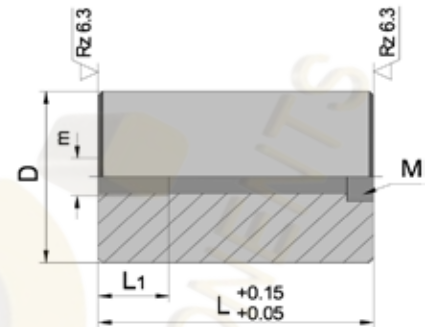


Code per n. pezzi  
**HZ02 / D / L 4 pcs.**

Code	D	L	L1	L2	L3	M	S	SW
HZ02/24/180		180						
HZ02/24/200		200						
HZ02/24/220	24	220	25	35	22	12	12	19
HZ02/24/240		240						
HZ02/24/260		260						
HZ02/24/280		280						
HZ02/30/100		100						
HZ02/30/120	120							
HZ02/30/140	140							
HZ02/30/160	160							
HZ02/30/180	30	180	30	45	28	16	16	24
HZ02/30/200		200						
HZ02/30/220		220						
HZ02/30/260		260						
HZ02/30/300		300						
HZ02/30/340		340						
HZ02/40/160		160						
HZ02/40/180	180							
HZ02/40/200	200							
HZ02/40/220	220							
HZ02/40/240	40	240	35	55	36	20	20	36
HZ02/40/260		260						
HZ02/40/300		300						
HZ02/40/340		340						
HZ02/40/380		380						

Compatibile/similare a Z02 e E1050

Compatible/similar to Z02 and E1050



**MAT\_1.7139**



Code per n. pezzi

**ME1510 / D / L 4 pcs.**

Code	D	L	L1	M	m
ME1510/32/46	32	46	15	M6	M8
ME1510/32/56		56			
ME1510/32/66		66			
ME1510/32/76		76			
ME1510/32/86		86			
ME1510/32/96		96			
ME1510/32/116		116			
ME1510/32/136		136			
ME1510/40/46		40			
ME1510/40/56	56				
ME1510/40/66	66				
ME1510/40/76	76				
ME1510/40/86	86				
ME1510/40/96	96				
ME1510/40/116	116				
ME1510/40/136	136				
ME1510/40/156	156				
ME1510/50/46	50	46	20	M8	M10
ME1510/50/56		56			
ME1510/50/66		66			
ME1510/50/76		76			
ME1510/50/86		86			
ME1510/50/96		96			
ME1510/50/116		116			
ME1510/50/136		136			
ME1510/50/156		156			

Compatibile/similare a E1510 e Z571 / Compatible/similar to E1510 and Z571

Code	D	L	L1	M	m
ME1510/60/56	60	56	20	M8	M10
ME1510/60/66		66			
ME1510/60/76		76			
ME1510/60/86		86			
ME1510/60/96		96			
ME1510/60/116		116			
ME1510/60/136		136			
ME1510/60/156		156			
ME1510/60/176		176			
ME1510/63/56	63	56	20	M8	M10
ME1510/63/66		66			
ME1510/63/76		76			
ME1510/63/86		86			
ME1510/63/96		96			
ME1510/63/116		116			
ME1510/63/136		136			
ME1510/63/156		156			
ME1510/70/66		70			
ME1510/70/76	76				
ME1510/70/86	86				
ME1510/70/96	96				
ME1510/70/116	116				
ME1510/70/136	136				
ME1510/70/156	156				
ME1510/70/176	176				
ME1510/80/66	80		66	25	M10

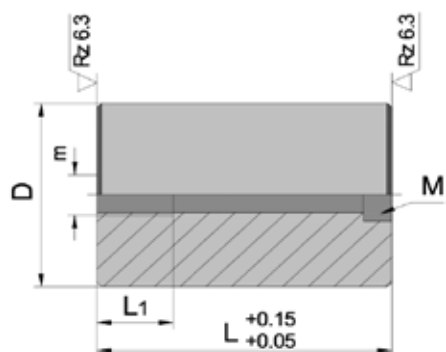
Compatibile/similare a E1510 e Z571 / Compatible/similar to E1510 and Z571



**MAT\_1.7139**

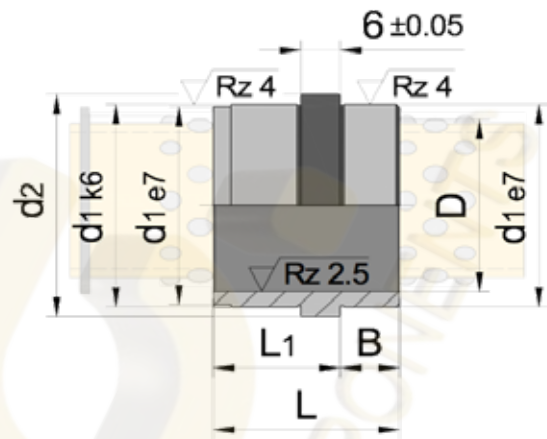


Code per n. pezzi  
**ME1510 / D / L 4 pcs.**



Code	D	L	L1	M	m
ME1510/80/76	80	76	25	M10	M12
ME1510/80/86		86			
ME1510/80/96		96			
ME1510/80/116		116			
ME1510/80/136		136			
ME1510/80/156		156			
ME1510/80/176		176			
ME1510/80/196		196			
ME1510/100/96	100	96	25	M10	M12
ME1510/100/116		116			
ME1510/100/136		136			
ME1510/100/156		156			
ME1510/100/176		176			
ME1510/100/196		196			
ME1510/100/236		236			
ME1510/100/276		276			

Compatibile/similare a E1510 e Z571 / Compatible/similar to E1510 and Z571



**MAT\_ 1.7139 ca. 700HV**



Code per n. pezzi  
**HZ12BU / D / L 4 pcs.**

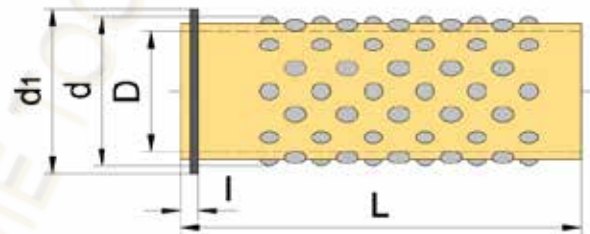
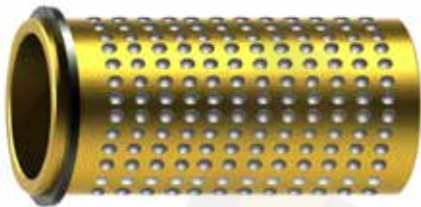
Code	D	L	d1	d2	B	L1	gabbia D
HZ12BU/16/24	16	24	22	26	6	18	12
HZ12BU/24/34	24	34	30	35	11	23	18
HZ12BU/38/54	38	54	46	52	21	33	30

HZ12BU e HZ12G COMPONGONO IL GRUPPO COMPATIBILE/SIMILARE Z12

HZ12BU e HZ12G TOGHETER FORM THECOMPATIBLE/SIMILAR TO Z12 GROUP

## HZ12G

GABBIA A SFERA  
BALL CAGE



**MAT\_ OTTONE / BRASS**

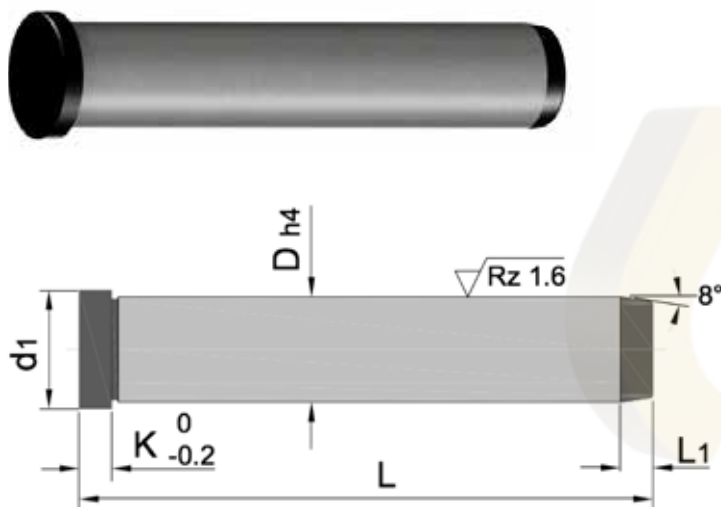


Code per n. pezzi  
**HZ12G / D / L 4 pcs.**

Code	D	L	l	d	d1
HZ12G/12/40	12	40	2,5	16	20,5
HZ12G/12/56		56			
HZ12G/18/45	18	45	2,8	24	28,6
HZ12G/18/56		56			
HZ12G/18/71		71			
HZ12G/30/56	30	56	4,8	38	43,5
HZ12G/30/75		75			
HZ12G/30/95		95			

HZ12BU e HZ12G COMPONGONO IL GRUPPO COMPATIBILE/SIMILARE Z12

HZ12BU e HZ12G TOGHETER FORM THECOMPATIBLE/SIMILAR TO Z12 GROUP

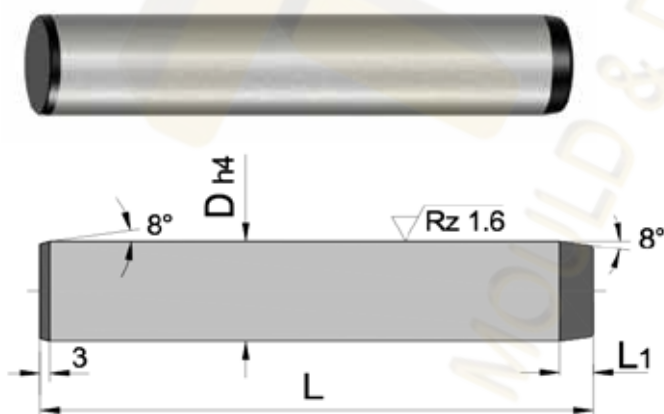


**MAT\_ 1.7139 ca. 700HV**



Code per n. pezzi  
HZ012 / D / L 4 pcs.

Code	D	L	K	L1	d1
HZ012/12/80	12	80	4	4	16
HZ012/12/100		100			
HZ012/12/120		120			
HZ012/12/140		140			
HZ012/18/80	18	80	6	7	22
HZ012/18/100		100			
HZ012/18/120		120			
HZ012/18/140		140			
HZ012/18/160		160			
HZ012/18/180		180			
HZ012/18/200	30	200	6	7	35
HZ012/18/240		240			
HZ012/30/160		160			
HZ012/30/200		200			
HZ012/30/240	30	240	6	7	35
HZ012/30/280		280			
HZ012/30/300		300			
Compatibile/similare a Z012					
Compatible/similar to Z012					



**MAT\_ 1.7139 ca. 700HV**

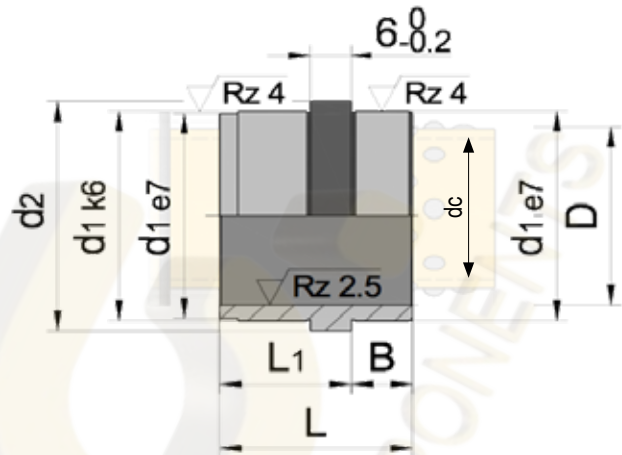


Code per n. pezzi  
HZ013 / D / L 4 pcs.

Code	D	L	L1
HZ013/12/80	12	80	4
HZ013/12/100		100	
HZ013/12/125		125	
HZ013/18/100	18	100	7
HZ013/18/125		125	
HZ013/18/140		140	
HZ013/18/160		160	
HZ013/18/180		180	
HZ013/18/200		200	
HZ013/30/160	30	160	7
HZ013/30/240		240	
Compatibile/similare a Z013			
Compatible/similar to Z013			

# ME1140

BUSSELE DI GUIDA PER GABBIA A SFERA  
GUIDE BUSHES FOR BALL CAGE



**MAT\_ 1.7139 ca. 700HV**



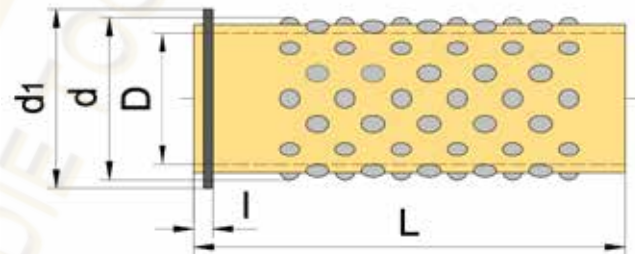
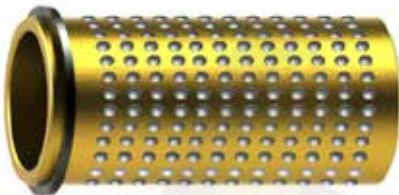
Code per n. pezzi

**ME1140 / D / L 4 pcs.**

Code	D	L	dc	d1	d2	B	L1
ME1140/17/26	17	26	12	22	25	9	17
ME1140/24/34	24	34	18	30	33	12	22
ME1140/30/44	30	44	24	38	41	17	27
ME1140/38/54	38	54	30	46	49	22	32

# ME1332

GABBIA A SFERA  
BALL CAGE



**MAT\_ OTTONE / BRASS**



Code per n. pezzi

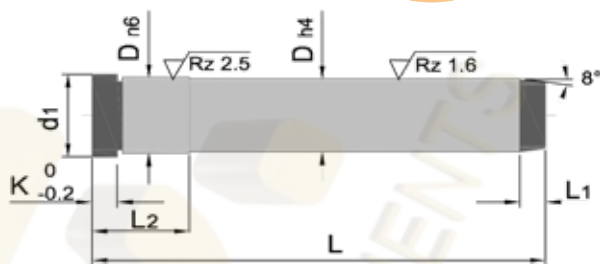
**ME1332 / D / L 4 pcs.**

Code	D	L	l	d	d1
ME1332/12/35		35			
ME1332/12/48	12	48	2,5	17	20,5
ME1332/12/56		56			
ME1332/18/45		45			
ME1332/18/56	18	56	2,8	24	28,6
ME1332/18/71		71			

Code	D	L	l	d	d1
ME1332/24/50		50			
ME1332/24/70	24	70	2,8	30	35,7
ME1332/24/84		84			
ME1332/30/56		56			
ME1332/30/70	30	70	4,8	38	43,5
ME1332/30/95		95			
ME1332/30/110		110			

ME1140 + ME1332 compongono il gruppo **E1330** / ME1140 + ME1332 form **E1330** group





**MAT\_1.7139 ca. 700HV**

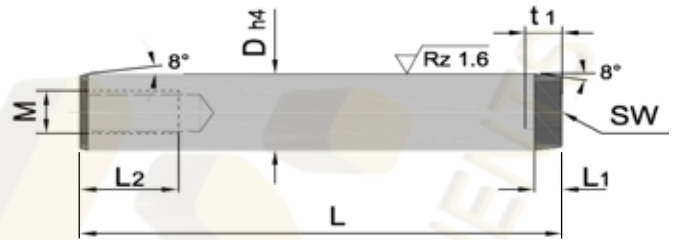


Code per n. pezzi

**ME1035 / D / L 4 pcs.**

Code	D	L	K	L1	L2	d1
ME1035/10/60	10	60	3	4	12	12
ME1035/10/80		80				
ME1035/10/100		100				
ME1035/10/120		120				
ME1035/10/140		140				
ME1035/12/80	12	80	4	4	17	15
ME1035/12/100		100				
ME1035/12/120		120				
ME1035/12/140		140				
ME1035/12/160		160				
ME1035/18/80	18	80	6	5	22	21
ME1035/18/100		100				
ME1035/18/120		120				
ME1035/18/140		140				
ME1035/18/160		160				
ME1035/18/180	180					
ME1035/24/100	24	100	6	6	27	27
ME1035/24/120		120				
ME1035/24/140		140				
ME1035/24/160		160				
ME1035/24/180		180				
ME1035/24/200	200					
ME1035/30/140	30	140	6	7	36	35
ME1035/30/160		160				
ME1035/30/180		180				
ME1035/30/200		200				
ME1035/30/250		250				

Compatibile/similare a E1035 / Compatible/similar to E1035



**MAT\_ 1.7139 ca. 700HV**



Code per n. pezzi

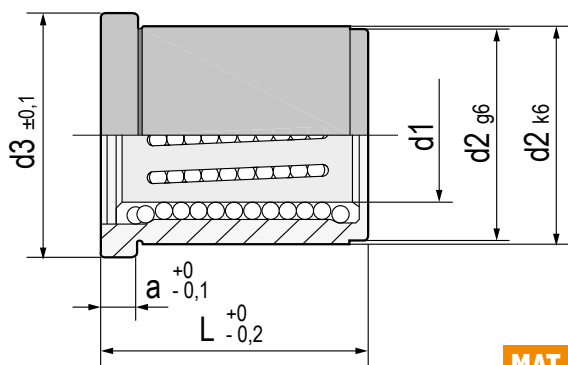
**ME1040 / D / L 4 pcs.**

Code	D	L	M	L1	L2	SW	T1
ME1040/10/60	10	60	6	4	16	4	4
ME1040/10/80		80					
ME1040/10/100		100					
ME1040/10/120		120					
ME1040/10/140		140					
ME1040/12/80	12	80	8	4	17	5	5
ME1040/12/100		100					
ME1040/12/120		120					
ME1040/12/140		140					
ME1040/12/160		160					
ME1040/18/80	18	80	10	5	20	6	6
ME1040/18/100		100					
ME1040/18/120		120					
ME1040/18/140		140					
ME1040/18/160		160					
ME1040/18/180	180						
ME1040/24/100	24	100	12	6	25	8	8
ME1040/24/120		120					
ME1040/24/140		140					
ME1040/24/160		160					
ME1040/24/180		180					
ME1040/24/200	200						
ME1040/30/140	30	140	16	7	30	8	8
ME1040/30/160		160					
ME1040/30/180		180					
ME1040/30/200		200					
ME1040/30/250		250					

Compatibile/similare a E1040 / Compatible/similar to E1040

**BUSSOLE CON TESTA A RICIRCOLO DI SFERE BOLEXP**  
**BOLEXP BALLS HEADED CIRCULATING BUSHES**

**BSS1**



**MAT ACCIAIO SPECIALE + BRONZO**

**SPECIAL STEEL + BRONZE**



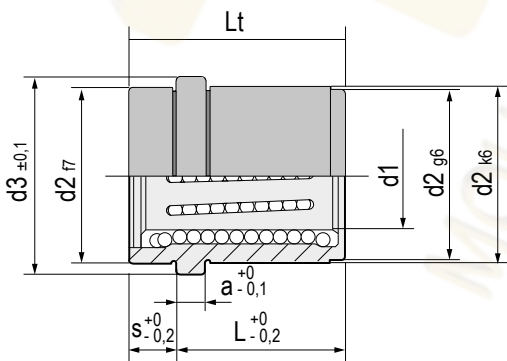
Code per n. pezzi

**BSS1 / d1 / L**

Code	d1	L	d2	d3	a	∅ sfera ∅ ball	linee lines
BSS1/20/35	20	35	32	36	6	3	6
BSS1/25/35	25	35	40	45	6	3	8
BSS1/25/45	25	45	40	45	6	3	8
BSS1/25/55	25	55	40	45	6	3	8
BSS1/32/45	32	45	50	56	8	4	8
BSS1/32/63	32	63	50	56	8	4	8
BSS1/40/45	40	45	60	66	8	4	8
BSS1/40/63	40	63	60	66	8	4	8

**BUSSOLE SPALLATE A RICIRCOLO DI SFERE BOLEXP**  
**BOLEXP BALLS CIRCULATING BUSHES WITH CENTRING COLLAR**

**BSS2**



**MAT ACCIAIO SPECIALE + BRONZO**

**SPECIAL STEEL + BRONZE**



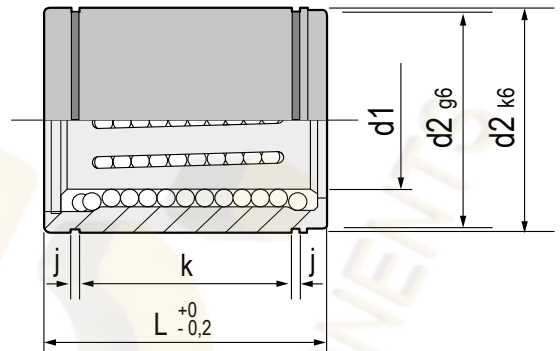
Code per n. pezzi

**BSS2 / d1 / L**

Code	d1	L	s	d2	d3	a	∅ sfera ∅ ball	linee lines
BSS2/8/12	8	12	6	18	21	3	2	5
BSS2/10/12	10	12	9	20	24	4	2,5	5
BSS2/12/22	12	22	8	24	28	6	3	5
BSS2/16/22	16	22	8	28	32	6	3	6
BSS2/16/26	16	26	9	28	32	6	3	6
BSS2/20/26	20	26	9	32	36	6	3	6
BSS2/20/35	20	35	9	32	36	6	3	6
BSS2/25/26	25	26	9	40	45	6	3	8
BSS2/25/35	25	35	10	40	45	6	3	8
BSS2/25/45	25	45	10	40	45	6	3	8
BSS2/25/55	25	55	10	40	45	6	3	8
BSS2/32/45	32	45	12	50	56	8	4	8
BSS2/32/63	32	63	12	50	56	8	4	8
BSS2/40/45	40	45	12	60	66	8	4	8
BSS2/40/63	40	63	12	60	66	8	4	8
BSS2/50/55	50	55	25	70	76	10	4	10
BSS2/60/55	60	55	25	85	91	10	4	12

# BSS3

BUSSOLE A RICIRCOLO DI SFERE **BOLEXP**  
**BOLEXP BALLS CIRCULATING BUSHES**



**MAT ACCIAIO SPECIALE + BRONZO**

**SPECIAL STEEL + BRONZE**

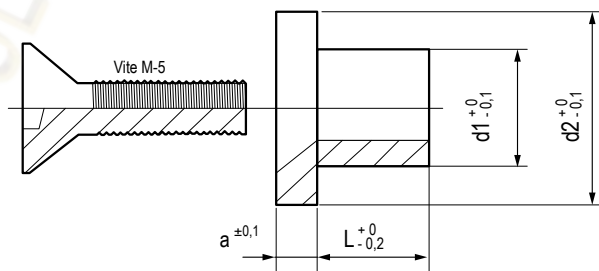


Code per n. pezzi  
**BSS3 / d1 / L**

Code	d1	L	d2	k	j	ø sfera ø ball	linee lines
BSS3/12/30	12	30	24	20	1,3	3	5
BSS3/16/30	16	30	28	19	1,6	3	6
BSS3/16/35	16	35	28	24	1,6	3	6
BSS3/20/35	20	35	32	24	1,6	3	6
BSS3/20/45	20	45	32	34	1,6	3	6
BSS3/25/35	25	35	40	23	1,8	3	8
BSS3/25/45	25	45	40	33	1,8	3	8
BSS3/25/55	25	55	40	43	1,8	3	8
BSS3/32/45	32	45	50	33	2,1	4	8
BSS3/32/63	32	63	50	51	2,1	4	8
BSS3/40/45	40	45	60	33	2,1	4	8
BSS3/40/63	40	63	60	51	2,1	4	8
BSS3/50/63	50	63	70	50	2,6	4	10
BSS3/50/80	50	80	70	65	2,6	4	10
BSS3/60/80	60	80	85	65	3,1	4	12
BSS3/60/100	60	100	85	85	3,1	4	12

# B6-B8

STAFFE DI FISSAGGIO PER BUSSOLE A RICIRCOLO SFERE **BOLEXP**  
**BOLEXP BALLS CIRCULATING BUSHES'S FIXING CLAMPS**



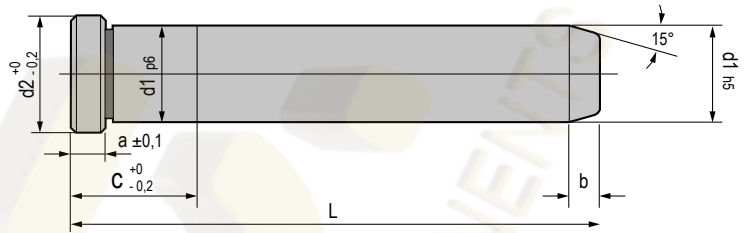
**MAT ACCIAIO SPECIALE**

**SPECIAL STEEL**



Code per n. pezzi  
**B6-B8 / d1 / L**

Code	L	a	d1	d2
B6/9/6	6	3	9	13
B8/9/8	8	3	9	15



**MAT ACCIAIO / STEEL 5732 62-64 HRc**



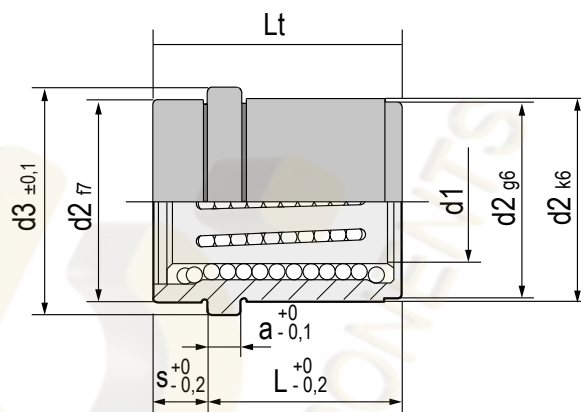
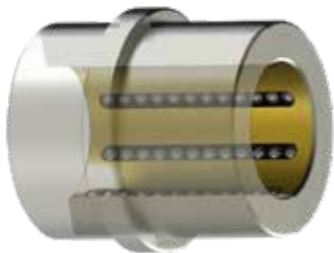
Code per n. pezzi  
**CSS8 / d1 / L**

Code	d1	L	d2	a	b	c
CSS8/8/60	8	60	12	3	4	10
CSS8/8/80	8	80	12	3	4	10
CSS8/8/100	8	100	12	3	4	10
CSS8/10/60	10	60	14	4	4	12
CSS8/10/80	10	80	14	4	4	12
CSS8/10/100	10	100	14	4	4	12
CSS8/12/80	12	80	16	4	4	16
CSS8/12/100	12	100	16	4	4	16
CSS8/12/125	12	125	16	4	4	16
CSS8/16/80	16	80	20	6	6	20
CSS8/16/100	16	100	20	6	6	20
CSS8/16/125	16	125	20	6	6	20
CSS8/16/160	16	160	20	6	6	20
CSS8/16/200	16	200	20	6	6	20
CSS8/20/100	20	100	24	6	6	22
CSS8/20/125	20	125	24	6	6	22
CSS8/20/160	20	160	24	6	6	22
CSS8/20/200	20	200	24	6	6	22
CSS8/20/250	20	250	24	6	6	22
CSS8/25/125	25	125	30	6	6	25
CSS8/25/160	25	160	30	6	6	25
CSS8/25/200	25	200	30	6	6	25
CSS8/25/250	25	250	30	6	6	25
CSS8/25/315	25	315	30	6	6	25
CSS8/32/125	32	125	37	8	8	35

Code	d1	L	d2	a	b	c
CSS8/32/160	32	160	37	8	8	35
CSS8/32/200	32	200	37	8	8	35
CSS8/32/250	32	250	37	8	8	35
CSS8/32/315	32	315	37	8	8	35
CSS8/40/125	40	125	45	8	8	35
CSS8/40/200	40	200	45	8	8	35
CSS8/40/250	40	250	45	8	8	35
CSS8/40/315	40	315	45	8	8	35
CSS8/40/400	40	400	45	8	8	35
CSS8/50/315	50	315	55	10	10	45
CSS8/50/400	50	400	55	10	10	45
CSS8/60/315	60	315	65	10	10	55
CSS8/60/400	60	400	65	10	10	55

# BSS12

BUSSOLE SPALLATE A RICIRCOLO DI SFERE **BOLEXP**  
**BOLEXP BALLS CIRCULATING BUSHES WITH CENTRING COLLAR**



**MAT\_ACCIAIO SPECIALE + BRONZO**

**SPECIAL STEEL + BRONZE**

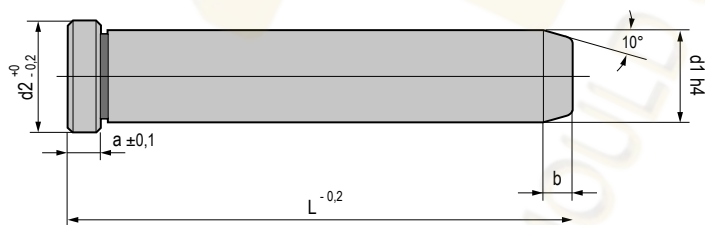


Code per n. pezzi  
**BSS12 / d1 / LT**

Code	d1	Lt	L	s	d2	d3	a	ø sfera ø ball	linee lines
BSS12/12/26	12	26	20	6	22	26	6	2,5	6
BSS12/18/35	18	35	24	11	30	35	6	3	6
BSS12/24/45	24	45	29	16	38	43	6	3	8
BSS12/30/55	30	55	34	21	46	52	6	4	8

# CSS18

COLONNE DI GUIDA PER BUSSOLE A RICIRCOLO DI SFERE **BOLEXP**  
**BOLEXP BALLS CIRCULATING BUSHES'S GUIDE PILLARS**



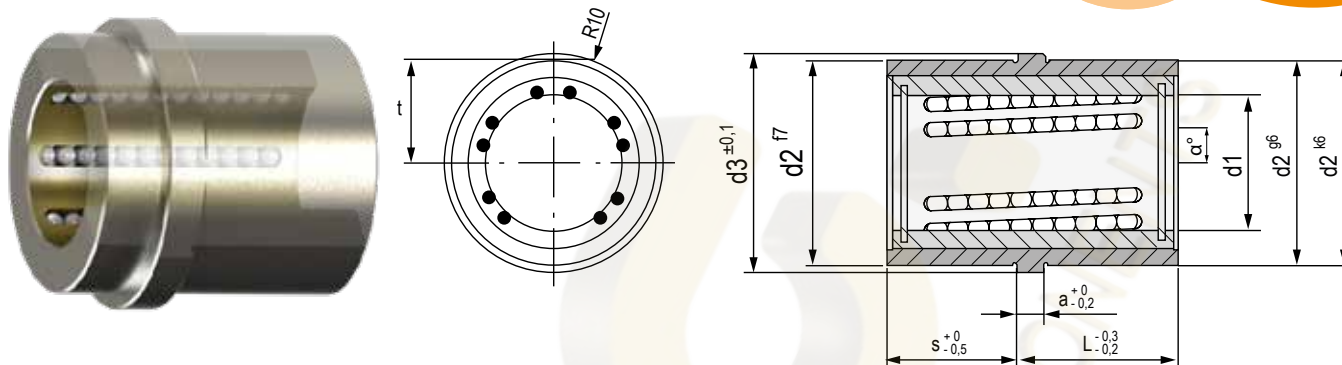
Code	d1	L	d2	a	b
CSS18/12/80	12	80	16	4	4
CSS18/12/100	12	100	16	4	4
CSS18/12/120	12	120	16	4	4
CSS18/12/140	12	140	16	4	4
CSS18/18/100	18	100	22	6	7
CSS18/18/120	18	120	22	6	7
CSS18/18/140	18	140	22	6	7
CSS18/18/160	18	160	22	6	7
CSS18/18/200	18	200	22	6	7
CSS18/24/160	24	160	28	6	7
CSS18/24/200	24	200	28	6	7
CSS18/24/240	24	240	28	6	7
CSS18/24/300	24	300	28	6	7
CSS18/30/160	30	160	36	6	7
CSS18/30/200	30	200	36	6	7
CSS18/30/240	30	240	36	6	7
CSS18/30/300	30	300	36	6	7

**MAT\_STEEL 5732 62-64 HRc**



Code per n. pezzi  
**CSS18 / d1 / L**

**BUSSOLE A RICIRCOLO DI SFERE CON LUBRIFICANTE SOLIDO BOLEXP BSS737**  
**BOLEXP FREE LUBE BALLS CIRCULATING BUSHES**



**MAT ACCIAIO SPECIALE + BRONZO**

**SPECIAL STEEL + BRONZE**

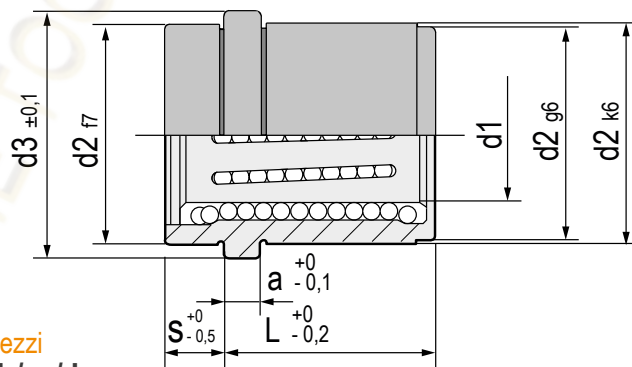
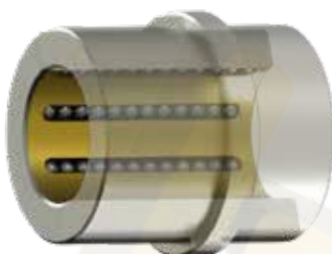


Code per n. pezzi  
**BSS737 / d1 / s / L**

Code	d1	L	s	d2	d3	a	t	ø sfera ø ball	linee lines
BSS737/12/12/17	12	17	12	22	25	6	11,25	2,5	6
BSS737/18/17/22	18	22	17	30	33	6	15,25	3	6
BSS737/24/22/27	24	27	22	38	41	6	19,25	3	8
BSS737/30/27/36	30	36	27	46	49	6	23,25	4	8
BSS737/40/27/46	40	46	27	60	66	8	30,25	4	10

**BUSSOLE SPALLATE A RICIRCOLO DI SFERE BOLEXP ME1144**  
**BOLEXP BALLS CIRCULATING BUSHES WITH CENTRING COLLAR**

**ME1144**



**MAT ACCIAIO SPECIALE + BRONZO**

**SPECIAL STEEL + BRONZE**

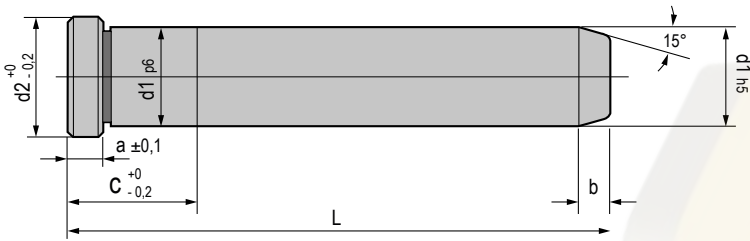


Code per n. pezzi  
**ME1144/ d1 / s / L**

Code	d1	s	L	d2	d3	a	ø sfera ø ball	linee lines
ME1144/12/9/17	12	9	17	22	25	6	2,5	6
ME1144/12/12/17	12	12	17	22	25	6	2,5	6
ME1144/18/12/22	18	12	22	30	33	6	3	6
ME1144/18/17/22	18	17	22	30	33	6	3	6
ME1144/24/17/27	24	17	27	38	41	6	3	8
ME1144/24/22/27	24	22	27	38	41	6	3	8
ME1144/30/22/32	30	22	32	46	49	6	4	8
ME1144/30/27/36	30	27	36	46	49	6	4	8

# CSS858

COLONNE DI GUIDA IN ACCIAIO INOX BOLEXP  
BOLEX STAINLESS STEEL GUIDE PILLARS



**MAT\_ 1.4125 58-60 HRc**

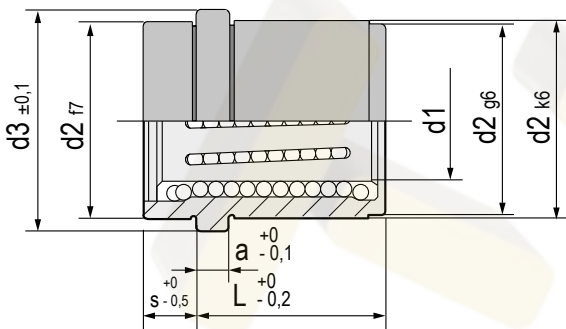


Code per n. pezzi  
**CSS18 / d1 / L**

Code	d1	L	d2	a	b	c
CSS858/12/80	12	80	16	4	4	16
CSS858/12/100	12	100	16	4	4	16
CSS858/16/100	16	100	20	6	6	20
CSS858/16/125	16	125	20	6	6	20
CSS858/20/125	20	125	24	6	6	22
CSS858/20/160	20	160	24	6	6	22
CSS858/25/160	25	160	30	6	6	25
CSS858/25/200	25	200	30	6	6	25

BUSSOLE A RICIRCOLO DI SFERE ACCIAIO INOX  
STAINLESS STEEL BALLS CIRCULATING BUSHES

# BSS852



**MAT\_ ACCIAIO INOX 1.2083 (BUSSOLA e SFERE)  
ALLUMINIO ANODIZZATO (GABBIA)  
DUREZZA: 54-56 HRc**

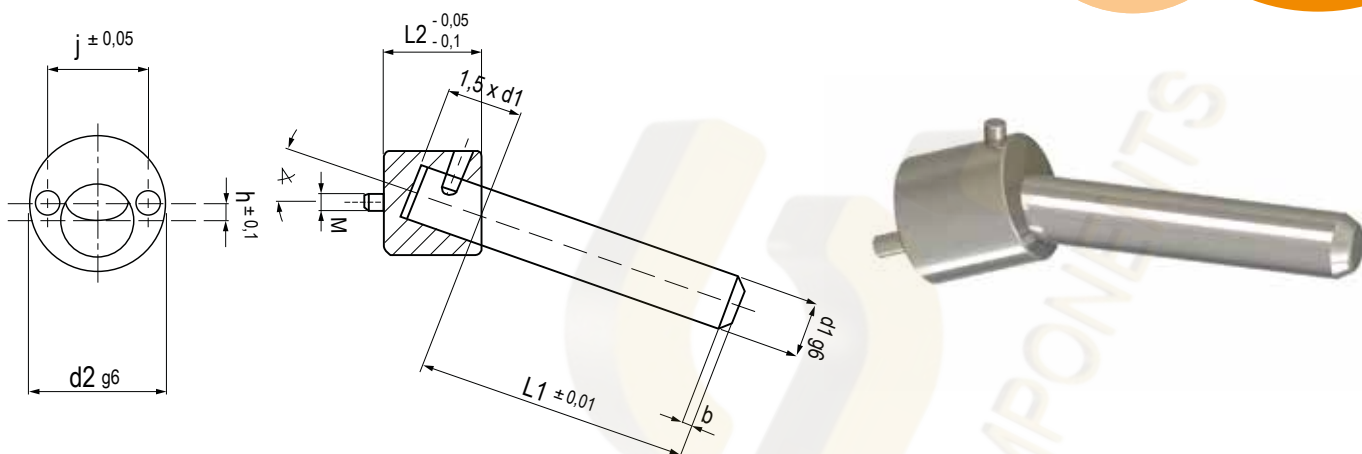
**MAT\_ STAINLESS STEEL 1.2083 (BUSH & BALLS)  
ANODIZED ALUMINIUM (CAGE)  
HARDNESS: 54-56 HRc**



Code per n. pezzi  
**BSS852 / d1 / L**

Code	d1	L	d2	d3	a	s	∅ sfera ∅ ball	linee lines
BSS852/12/22	12	22	24	28	6	8	3	5
BSS852/16/22	16	22	30	32	6	8	3	6
BSS852/20/26	20	26	32	36	6	9	3	6
BSS852/25/26	25	26	40	45	6	9	3	8





**MAT\_BASE 1.2312 | COLONNA 1.5732 58-60HRc | VITE 12.9**

**MAT\_BASE SUPPORT 1.2312 | COLUMN 1.5732 58-60HRc | SCREW 12.9**



Code per n. pezzi  
**CI / d1 / L1 / α**

Code	d1	L1	α°	d2	L2	j	h	b	M
CI/12/50/α		50							
CI/12/75/α	12	75	7° - 10° - 12° - 15°	24	22	17,5	2,5	4	4
CI/12/100/α		100	- 18° - 20° - 22°						
CI/12/125/α		125							
CI/16/75/α		75							
CI/16/100/α	16	100	7° - 10° - 12° - 15°	30	28	22,5	3	6	5
CI/16/125/α		125	- 18° - 20° - 22°						
CI/16/150/α		150							
CI/20/100/α		100							
CI/20/125/α	20	125	7° - 10° - 12° - 15°	38	36	28	4	6	6
CI/20/150/α		150	- 18° - 20° - 22°						
CI/20/175/α		175							
CI/25/125/α			125						
CI/25/150/α	25	150	7° - 10° - 12° - 15°	48	45	36	5	6	8
CI/25/175/α		175	- 18° 20° - 22°						
CI/25/200/α		200							
CI/30/150/α		150							
CI/30/175/α	30	175	7° - 10° - 12° - 15°	58	55	43	6	8	10
CI/30/200/α		200	- 18° 20° - 22°						
CI/30/250/α		250							



**T.D.S.**

Via Maestri del Lavoro, 12  
33080 Fiume Veneto (PN) Italy  
Telefono: +39 0434 564010  
Fax: +39 0434 564008

Per richieste di informazioni, offerte e ordini:  
UFFICIO COMMERCIALE: [commerciale@tdspn.it](mailto:commerciale@tdspn.it)

Per informazioni amministrative:  
AMMINISTRAZIONE: [amministrazione@tdspn.it](mailto:amministrazione@tdspn.it)